

4

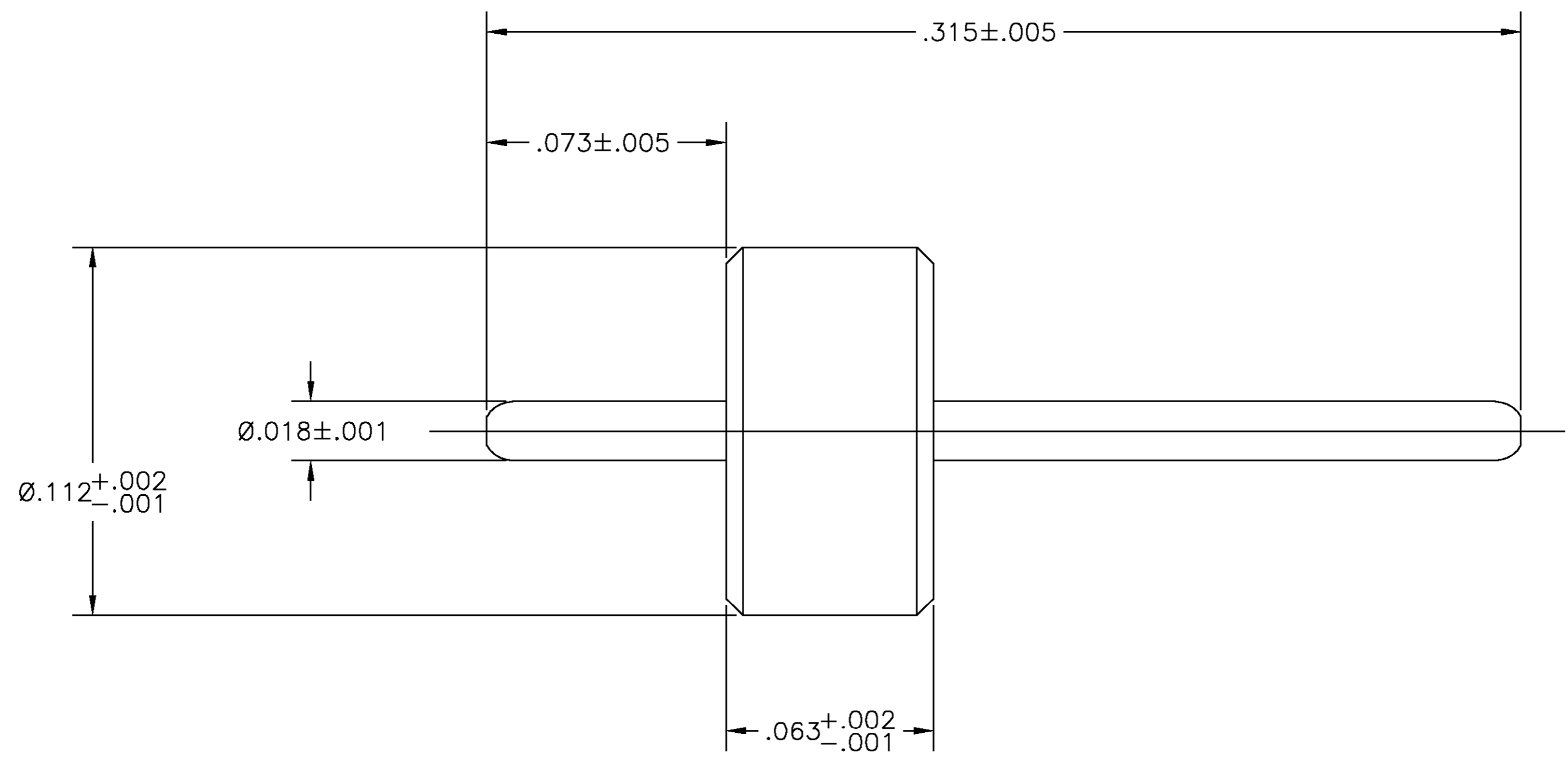
3

2

1

THIS DRAWING IS UNPUBLISHED. RELEASED FOR PUBLICATION SEPT , 2001.
 © COPYRIGHT 2001 BY TYCO ELECTRONICS CORPORATION. ALL RIGHTS RESERVED.

LOC		DIST		REVISIONS			
HC	00	P	LTR	DESCRIPTION	DATE	DWN	APVD
		0		RELEASED	19SEP01	CMH	CMH



1055331-1

PART NUMBER

BUSHING PIN	IRON-NICKEL-COBALT ALLOY (KOVAR)	GOLD PLATE
BEAD	GLASS	N/A
COMPONENT	MATERIAL	FINISH

THIS DRAWING IS A CONTROLLED DOCUMENT.		DWR CHRIS HOANG 19SEP01	Tyco Electronics Corporation Norwood, MA, 02062-5702	
DIMENSIONS: INCHES		CHK CHRIS HOANG 19SEP01	NAME HERMETIC SEAL SUB-ASSY (2098-3251-94)	
TOLERANCES UNLESS OTHERWISE SPECIFIED: 0 PLC ± - 1 PLC ± - 2 PLC ± - 3 PLC ± - 4 PLC ± - ANGLES ± 1'		APVD DCAM 19SEP01	RESTRICTED TO	
MATERIAL -	FINISH GOLD	PRODUCT SPEC -	APPLICATION SPEC -	SCALE 30:1
CUSTOMER DRAWING		WEIGHT -	SIZE A2	CAGE CODE 00779
		DRAWING NO 1055331		SHEET 1 OF 1
		REV 0		

1055331