

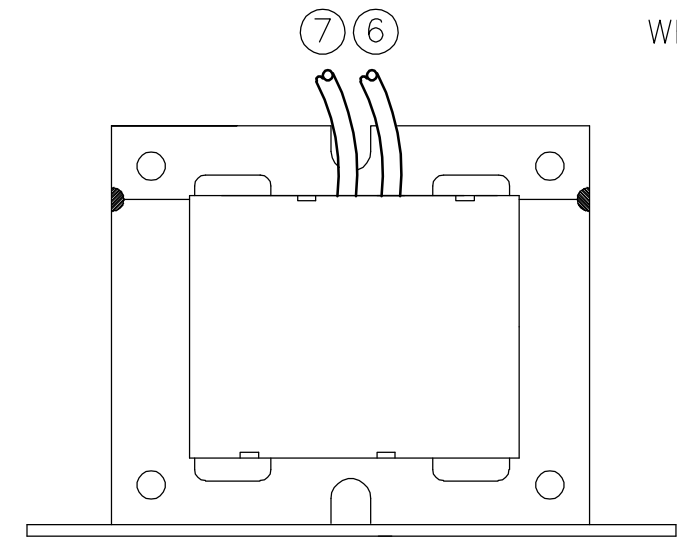
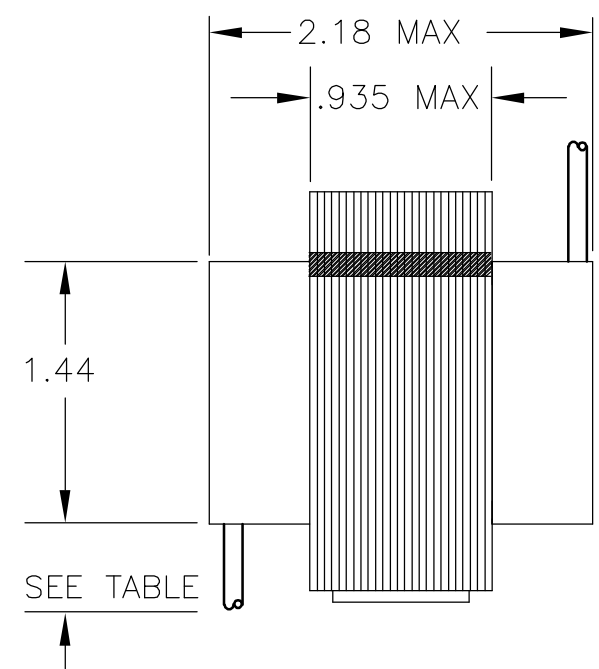
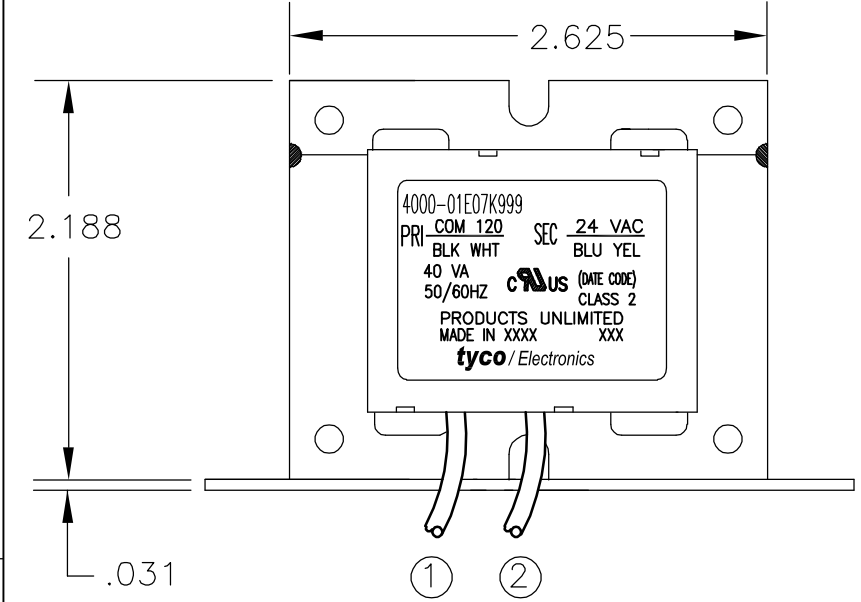
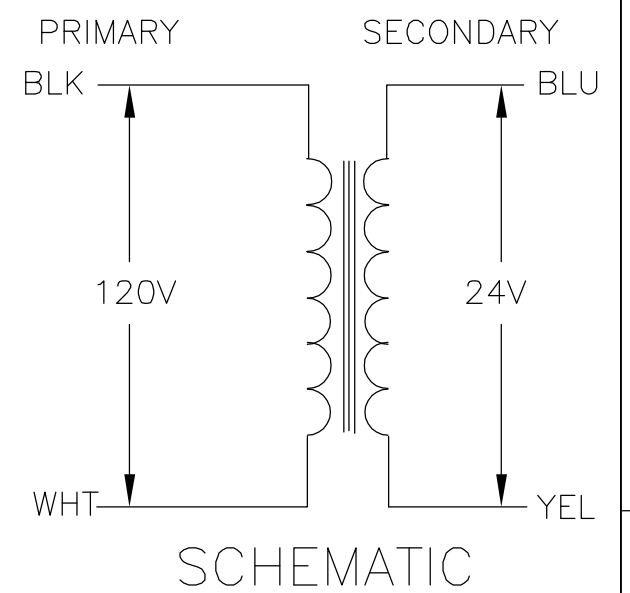
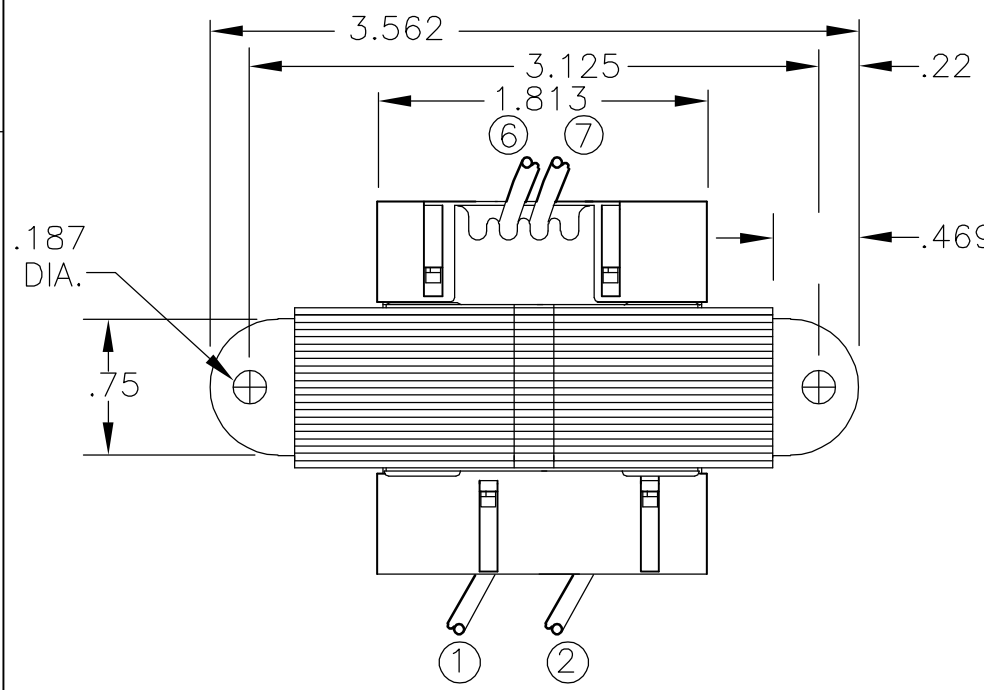
THIS DRAWING IS UNPUBLISHED. RELEASED FOR PUBLICATION
 © COPYRIGHT BY TYCO ELECTRONICS CORPORATION. ALL RIGHTS RESERVED.

LOC	DIST	REVISIONS					
GZ	00	P	LTR	DESCRIPTION	DATE	DWN	APVD
		B		EC 0611-0155-03	16MAY2003	TCS	KH

PRIMARY						SECONDARY				
LEAD NO.	1	2	3	4	5	LEAD NO.	6	7	8	9
VOLTAGE	COM	120				VOLTAGE	24	VAC		
COLOR	BLK	WHT				COLOR	BLU	YEL		
LENGTH	12.0	12.0				LENGTH	12.0	12.0		
STRIP LENGTH	.50	.50				STRIP LENGTH	.50	.50		

NOTES
 1. DIMENSIONS FOR REFERENCE ONLY.
 2. WINDING PROTECTION—INHERENTLY LIMITING

CERTIFICATION: UL,CUL FILE NO. E87824



TYCO PART NUMBER
 4-1611453-7

THIS DRAWING IS A CONTROLLED DOCUMENT.		DWN	22FEB1997	
		CHK	K.H.	
		APVD	-	
		PRODUCT SPEC	-	
		APPLICATION SPEC	-	
		WEIGHT	-	
		CUSTOMER DRAWING	-	
DIMENSIONS: INCHES		TOLERANCES UNLESS OTHERWISE SPECIFIED:		
		0 PLC	± -	
		1 PLC	± -	
		2 PLC	± -	
		3 PLC	± -	
		4 PLC	± -	
		ANGLES	± -	
MATERIAL		FINISH		
-		-		
		NAME	Tyco Electronics Corporation Harrisburg, PA 17105-3608	
		TRANSFORMER OUTLINE P.U. STOCK		
SIZE	CAGE CODE	DRAWING NO	RESTRICTED TO	
A3	00779	4000-01E07K999	-	
SCALE		SHEET	OF	REV
NTS		1	1	B