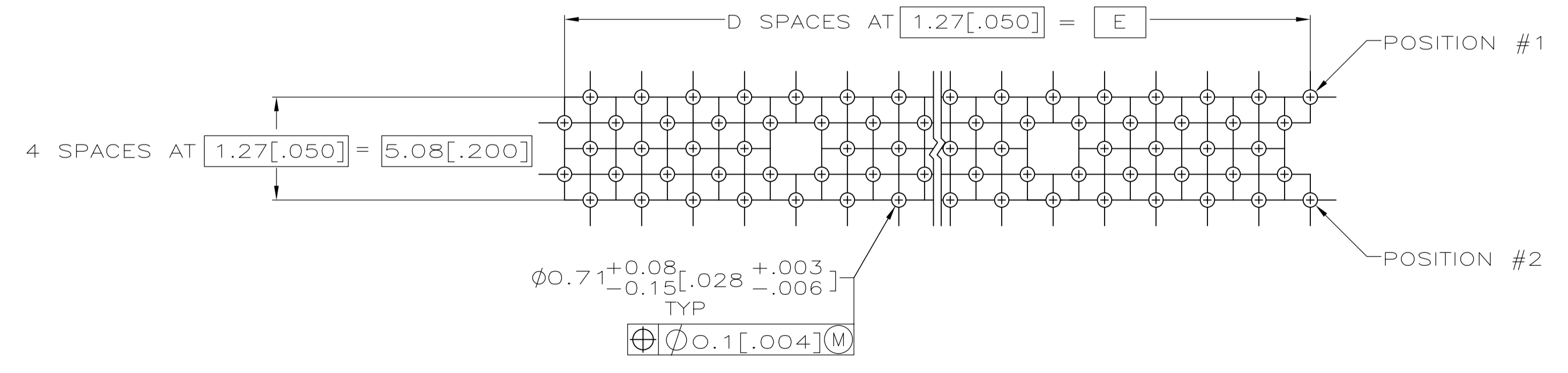
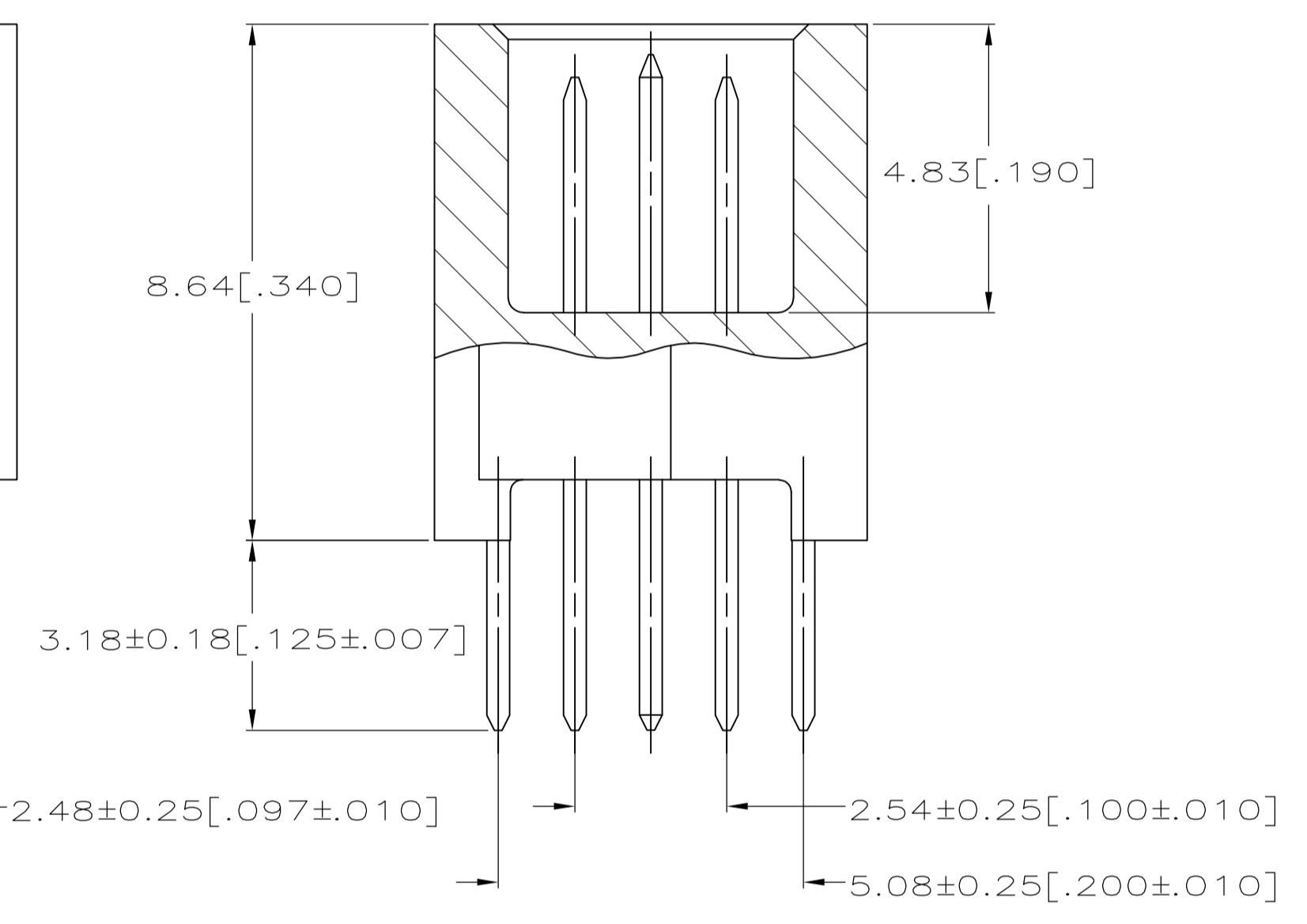
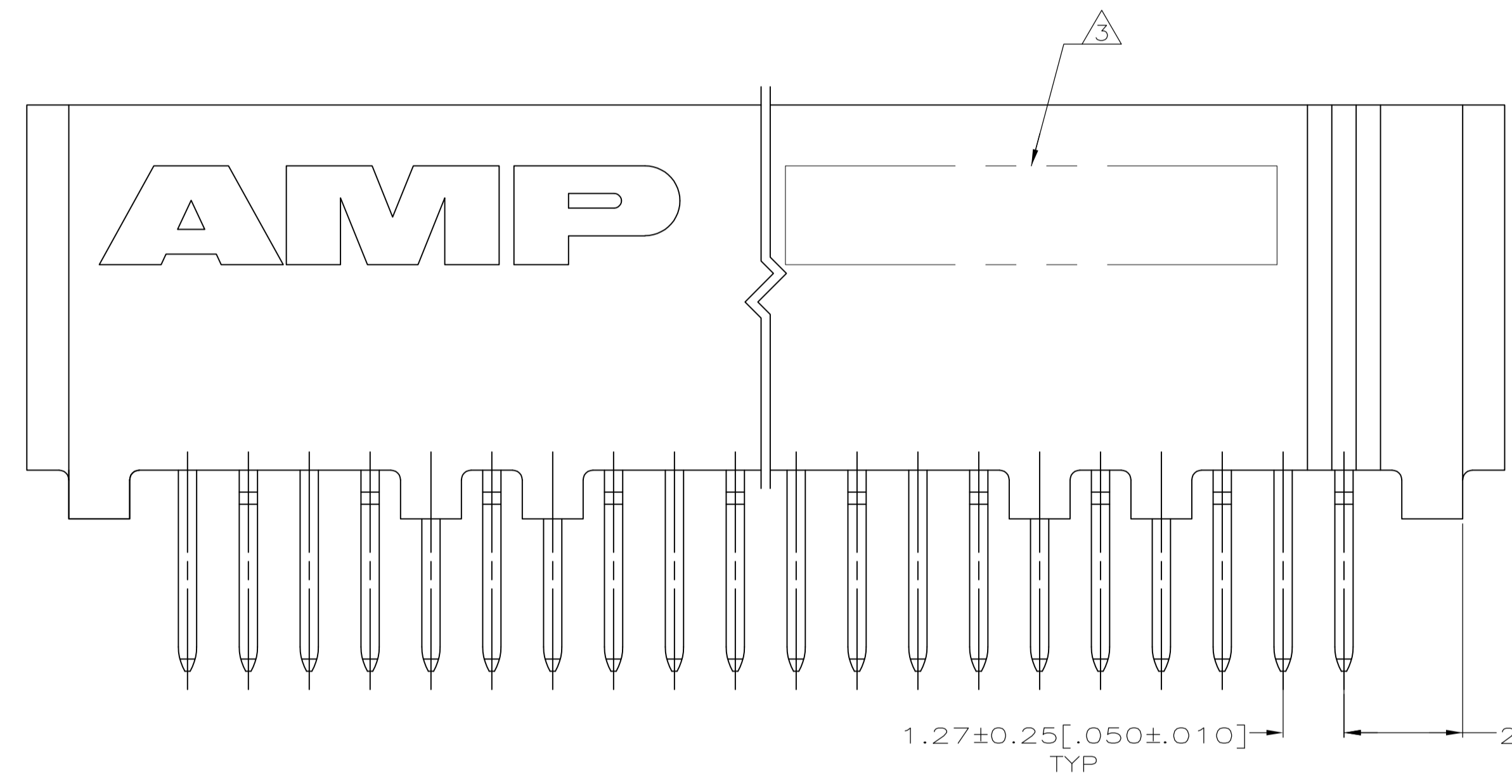


- ① HOUSING: HIGH TEMPERATURE THERMOPLASTIC, COLOR NATURAL.  
PIN CONTACTS: PHOSPHOR BRONZE.  
GROUND BUSES: PHOSPHOR BRONZE.
- ② CONTACTS & GROUND BUSES: 0.00076(.000030) MIN. GOLD PER ASTM B 488 ON CONTACT AREA, 0.00254-0.00762(.000100-.000300) MATTE TIN PER ASTM B 545 ON SOLDER TAIL, ALL OVER 0.00127-0.00254(.000050-.000100) MATTE NICKEL PER SAE AMS-QQ-N-290 ON ENTIRE CONTACT.
- ③ DATE CODE MARKED IN AREA INDICATED.



125.73	[4.950]	99	128.22	[5.048]	130.68	[5.145]	132.44	[5.214]	200	5536272-9	
113.03	[4.450]	89	115.52	[4.548]	117.98	[4.645]	119.74	[4.714]	180	5536272-8	
100.33	[3.950]	79	102.82	[4.048]	105.28	[4.145]	107.04	[4.214]	160	5536272-7	
87.63	[3.450]	69	90.12	[3.548]	92.58	[3.645]	94.34	[3.714]	140	5536272-6	
OBSOLETE	74.93	[2.950]	59	77.42	[3.048]	79.88	[3.145]	81.64	[3.214]	120	5536272-5
OBSOLETE	62.23	[2.450]	49	64.72	[2.548]	67.18	[2.645]	68.94	[2.714]	100	5536272-4
OBSOLETE	49.53	[1.950]	39	52.02	[2.048]	54.48	[2.145]	56.24	[2.214]	80	5536272-3
	36.83	[1.450]	29	39.32	[1.548]	41.78	[1.645]	43.54	[1.714]	60	5536272-2
	24.13	19	26.62	[1.048]	29.08	[1.145]	30.84	[1.214]	40	5536272-1	
	E	D	C	B	A	NO OF POS	PART NUMBER				

THIS DRAWING IS A CONTROLLED DOCUMENT.

DIMENSIONS:	TOLERANCES UNLESS OTHERWISE SPECIFIED:	REVISED BY	DATE	APPROVED BY	DATE
mm [INCHES]	0 PLC ± - 1 PLC ± - 2 PLC ± - 3 PLC ± 0.13 [.005] 4 PLC ± - ANGLES ± -	A. FERNANDEZ	01-20-05	D. DIXON	01-20-05
MATERIAL		FINISH		NAME	
①		②		Tyco Electronics Corporation Harrisburg, PA 17105-3608	
CUSTOMER DRAWING		SCALE 10:1		SHEET 1 OF 1	

PLUG ASSEMBLY, 10.92[.430] STACK, 3.18[.125] TAIL, BOARD TO BOARD, MICRO-STRIP

SIZE: A1 00779 C=5536272

RESTRICTED TO: -