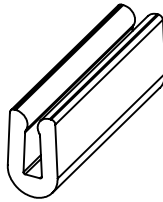
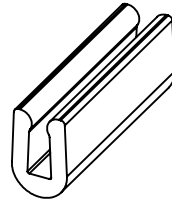


RG-1

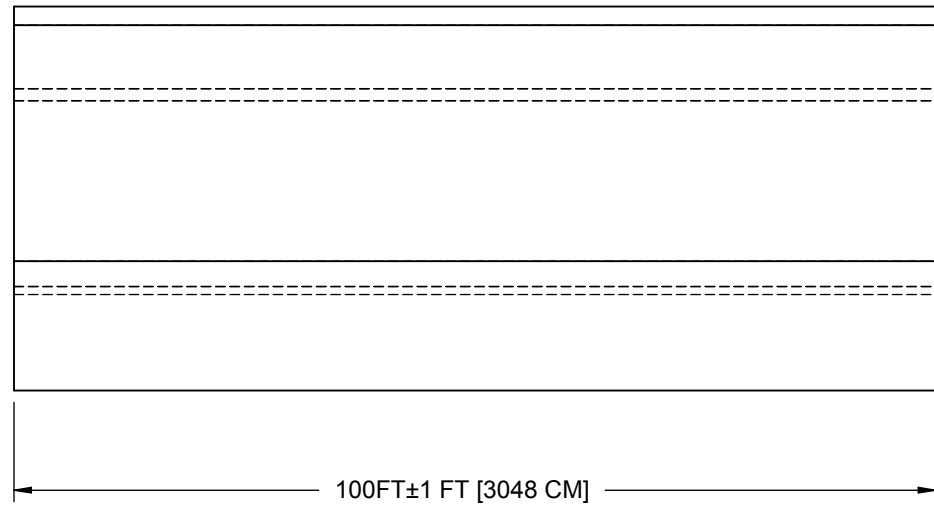
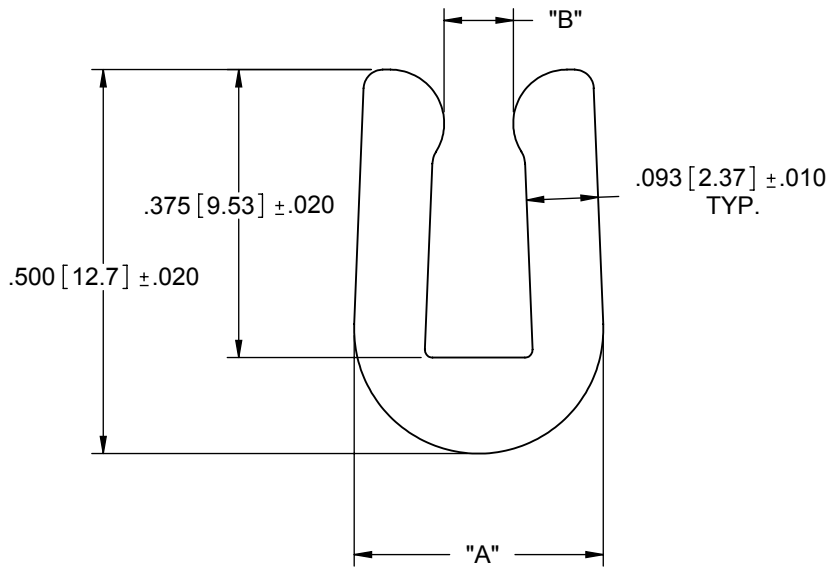


RG-2



RG-3

PART NO.	PANEL SIZE	"A" REF	"B" MAX.
RG-1	.063 [1.6]	.264 [6.74]	.030 [0.76]
RG-2	.093 [2.36]	.293 [7.44]	.060 [1.52]
RG-3	.125 [3.18]	.324 [8.23]	.090 [2.29]



NOTES:

1. MATERIAL: THERMOPLASTIC ELASTOMER (RMS-214).
2. COLOR: BLACK.
3. PART DESIGNED IN INCHES, METRIC CONVERSION IS FOR REFERENCE ONLY.

TITLE: RUBBER GROMMET			DWG IN IN [MM]		FINAL	
CREATED USING SOLIDWORKS			FILE #: RG	DWN: SK	APP: SK	
TOLERANCES UNLESS NOTED .XX=±.020 .XXX=±.015 FRAC.=±1/32 ANG.=±3°			SHEET: 1 OF 1	SHEET SIZE: A	DT: 05/25/05	CHKD: RG
B	SEE ECN #1347 FOR CHANGES	SK 07/25/07	RE: RICHCO, INC.		RICHCO, INC. ENG@RICHCO-INC.COM (773) 539-4060	
A	RELEASED FOR PRODUCTION	SK 10/20/05			PART # SEE TABLE	
REV.	DESCRIPTION	ENGR. DATE			PRINT TYPE CA	