



PART NAME

NEMA 4X PLASTIC BOX (PTS SERIES)

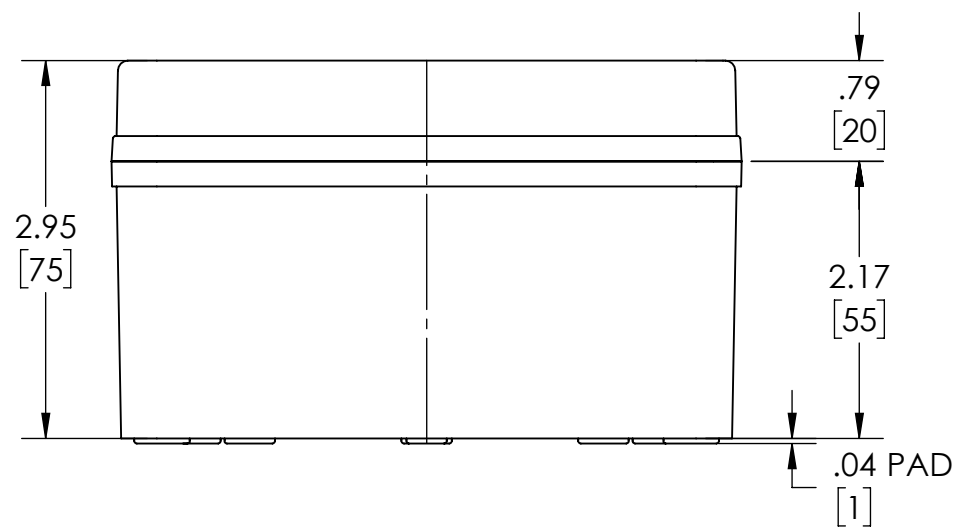
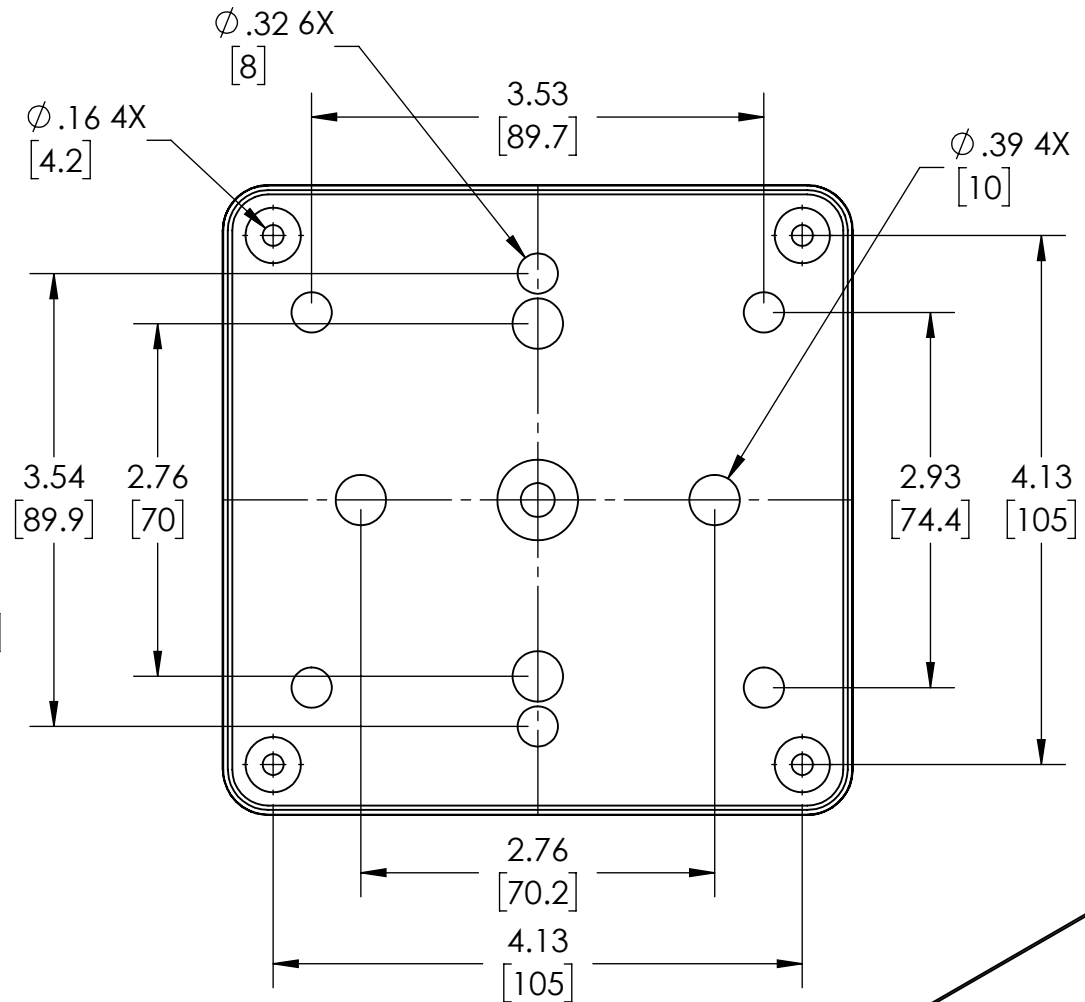
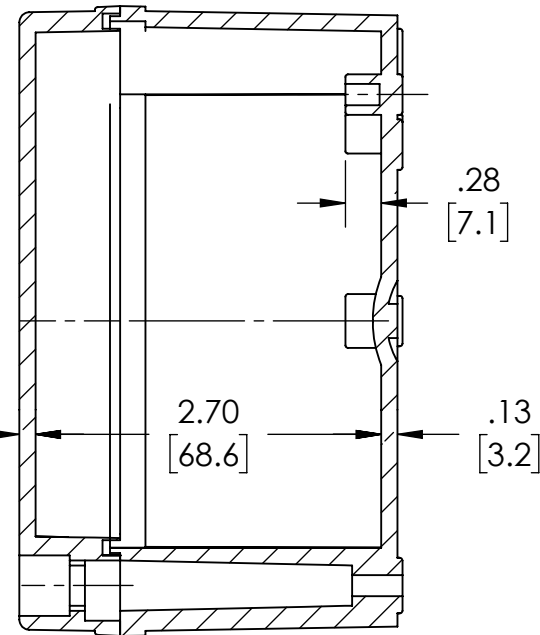
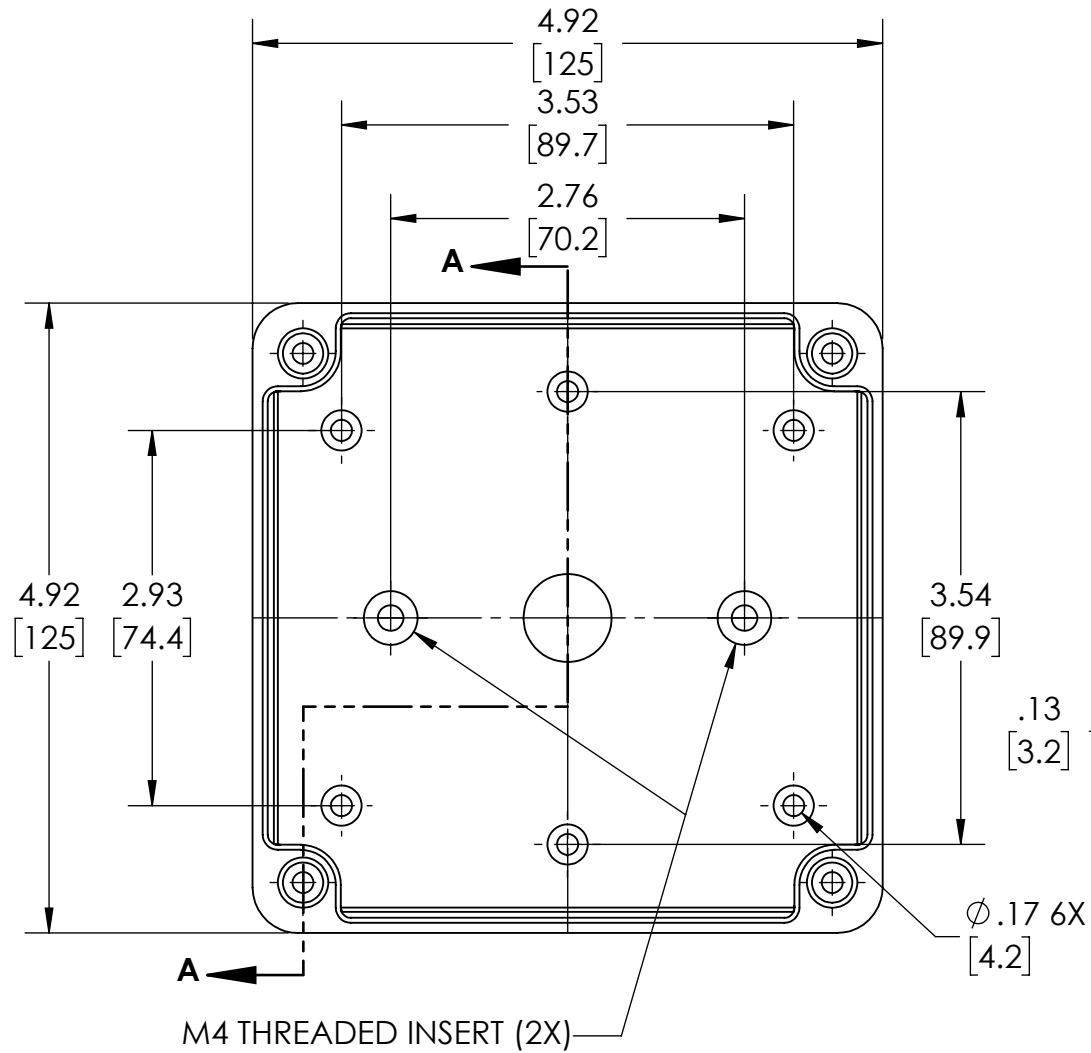
PART No.

PTS-25310 & PTS-25310-C

REVISION DATE

5-2-16

**DRAWING FOR REFERENCE**  
WE RESERVE THE RIGHT TO MAKE CHANGES TO OUR STANDARD PRODUCTS. PLEASE CONSULT WITH BUD INDUSTRIES PRIOR TO USING THIS DRAWING FOR DESIGN PURPOSE.



**NOTES:**

1- MATERIAL: BODY - GRAY POLYCARBONATE RESIN 10% GLASS FIBER FILLED  
COVER - GRAY OR CLEAR (-C SUFFIX) POLYCARBONATE

2- UL508 / NEMA TYPE 4X WITH IP-67 TUV RATING & UL-94V0

3- CONTINUOUS Poured FOAM GASKET IN COVER

4- COVER ATTACHES WITH NON-METALLIC CAPTIVE SCREWS  
(ITEMS NOT SHOWN)

5- SUPPLIED WITH TWO M4 x 8mm LG. PAN HEAD ZINC PLATED  
STEEL SCREWS (ITEMS NOT SHOWN)

6- DIMENSIONS ARE INCH [MM]

**OPTIONAL ACCESSORIES:**

STEEL INTERNAL PANEL #PTX-25310

PLASTIC INTERNAL PANEL #PTX-25310-P

MOUNTING BRACKET KIT (STAINLESS STEEL) #NBX-10922

MOUNTING BRACKET KIT (PLASTIC) #PIX-4117

