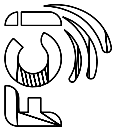
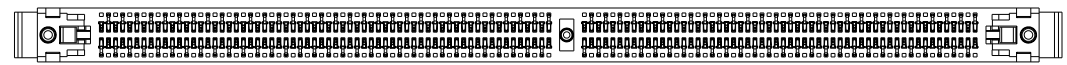
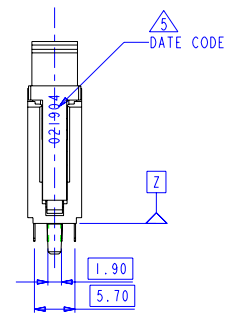
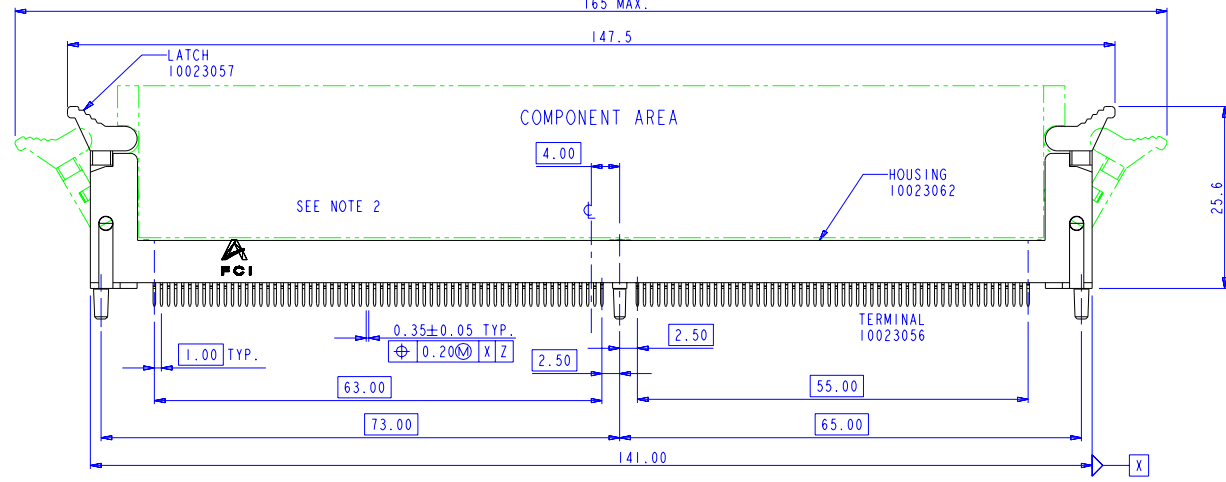
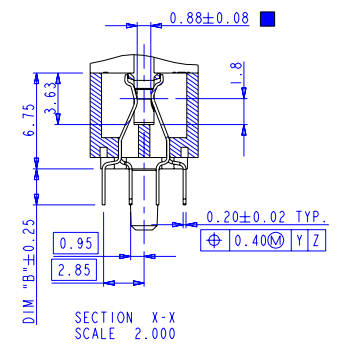
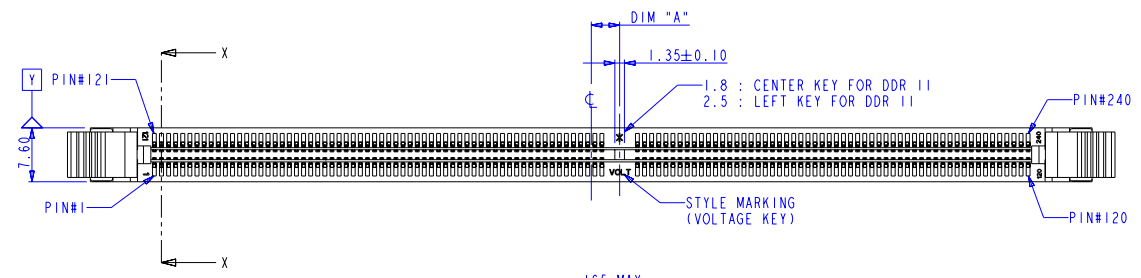


PRODUCT NO.
10023061-XXXXX

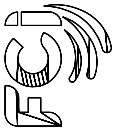


Copyright FCI.

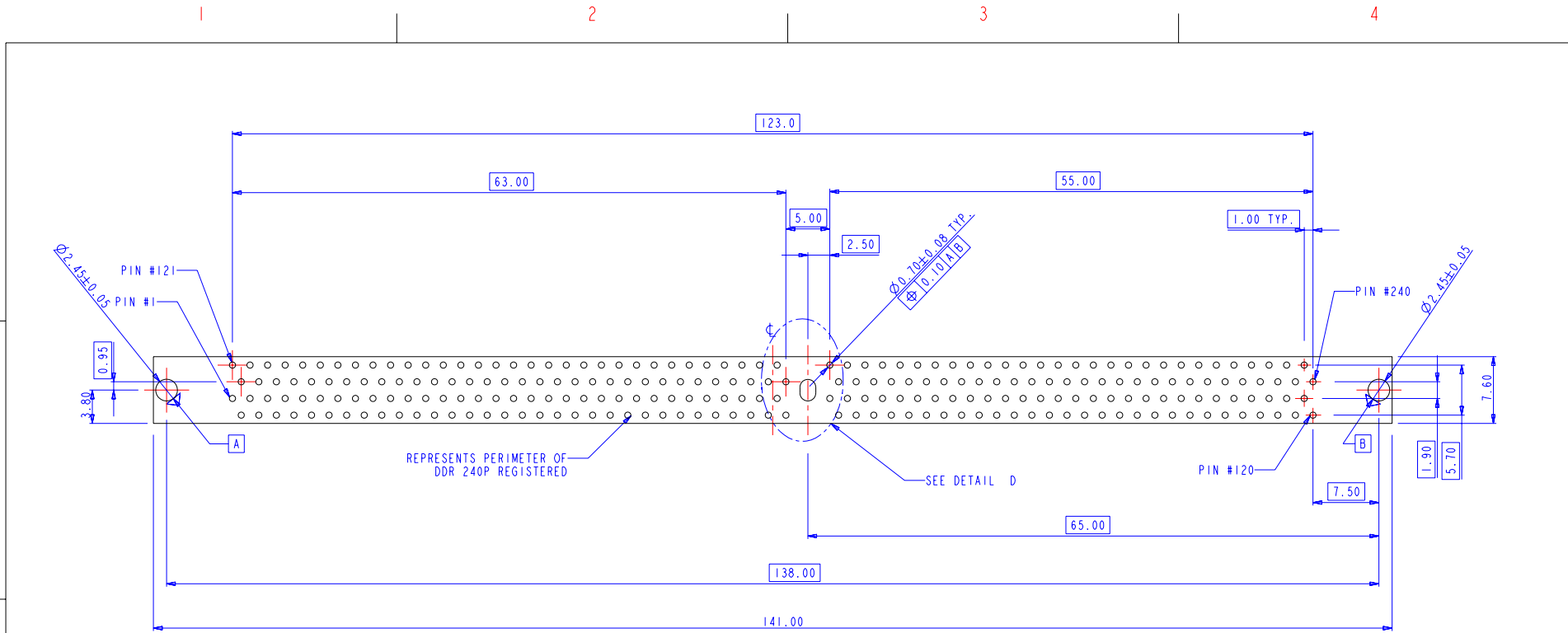
spec ref	* DIM "A"		dr	MAGGIE WU	02/17/03
PART NO.	4.00	DESCRIPTION			
10023061-5****	4.00	1.8V			
10023061-2****	TOLERANCES UNLESS OTHERWISE SPECIFIED		Su-Hua Miao	2010/11/03	
10023061-3****			Nickor Zuo	2011/08/25	
surface	linear	0.X ±	Pei-Ming Zheng	2011/08/25	
		0.XX ±			
		0.XXX ±			
	angular	0° ±	www.fci.com	cat. no.	*

projection	MM	size	A4	scale	0.500
product family		ecn no	*	rel level	Released
dwg no	10023061	ELX-DG-005343-1	Rev	Released	N
Product - Customer Drw			sheet 1 of N		

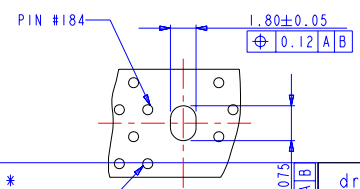
Print File - REV C - 2009-08-09



Copyright FCI.



RECOMMENDED CIRCUIT BOARD HOLE LAYOUT



spec ref	*	dr	MAGGIE WU	02/17/03	projection	MM	size	A4	scale	1.000
tolerance std	PIN #64	Su-Hua Miao 2010/11/03					ecn no *			
TOLERANCES UNLESS OTHERWISE SPECIFIED		Nickor Zuo 2011/08/25					rel level			
surface	linear	0.X	±				Released			
		0.XX	±				ELX-DG-005343-1			
		0.XXX	±				Rev			
angular	0°	±	www.fci.com	cat. no.	*	Product - Customer Drw	sheet 2 of N			

Printed File -- REV C -- 2009-08-09

1 2 3 4

A

B

C

D

10023061 - □ □ □ □ □

STYLE : MECHANICAL KEYING

1 : 1.8 VOLT. W/ CENTER KEY#1
 2 : 2.5 VOLT. W/ LEFT KEY#1
 3 : X.X VOLT. W/ RIGHT KEY#1

COLOR OF HOUSING

0 : BLACK HOUSING
 1 : BLUE HOUSING

TAIL LENGTH

CODE	DIM "B"
0	2.54
1	2.67
2	3.18

PLATING

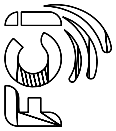
CODE	CONTACT	SOLDERTAIL	UNDERPLATE
1	10u" (0.25um) MIN. GOLD	100u" (2.54um) MIN. TIN/LEAD	50u" (1.27um) MIN. NICKEL OVERALL
2	15u" (0.38um) MIN. GOLD		
3	30u" (0.76um) MIN. GOLD		
4	3u" (0.076um) MIN. GOLD		
6LF	10u" (0.25um) MIN. GOLD	100u" (2.54um) MIN. 100% TIN	50u" (1.27um) MIN. NICKEL OVERALL
7LF	15u" (0.38um) MIN. GOLD		
8LF	30u" (0.76um) MIN. GOLD		
9LF	3u" (0.076um) MIN. GOLD		

COLOR OF EJECTOR

0 : IVORY EJECTOR
 2 : BLACK EJECTOR

NOTES:

- MATERIAL:
 HOUSING: HIGH PERFORMANCE RESINS, GLASS FILLED UL94V-0 RATED.
 EJECTOR: HIGH PERFORMANCE RESINS, GLASS FILLED UL94V-0 RATED.
 TERMINAL: PHOSPHOR BRONZE
- FCI LOGO TO BE APPROXIMATELY LOCATED AS SHOWN ON PRINT.
- PRODUCT SPECIFICATION: GS-12-251.
- PACKAGING SPECIFICATION: GS-14-899.
- THE DATE CODE IS SHOWN "MM-DD-YY".
- DIMENSION MARKED "■" NEED CPK>1.5



Copyright FCI.

spec ref	*	dr	MAGGIE WU	02/17/03	projection	MM	size	A4	scale	1.000
tolerance std	TOLERANCES UNLESS OTHERWISE SPECIFIED		Su-Hua Miao	2010/11/03			ecn no	*	rel level	
surface	linear	0.X ±	Nickor Zuo	2011/08/25			product family	ELX-DG-005343-1	Released	10023061
		0.XX ±	Pei-Ming Zheng	2011/08/25	dwg no					
		0.XXX ±								
	angular	0° ±	www.fci.com	cat. no.	*	Product - Customer Drw	sheet 3 of			

Print File -- REV C -- 2009-08-09

1 2 3 4

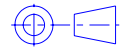

PRODUCT NO.	DIM "B"	HOUSING PART NO.	HOUSING COLOR	TERMINAL PART NO.	EJECTOR PART NO.	EJECTOR COLOR	DESCRIPTION
10023061-1000*	2.54	10023062-10040	BLACK	10023056-200*	10023057-001	IVORY	FOR 1.8 VOLT.
10023061-1010*	2.67			10023056-201*			
10023061-1020*	3.18			10023056-203*			
10023061-1002*	2.54			10023056-200*	10023057-002	BLACK	
10023061-1012*	2.67			10023056-201*			
10023061-1022*	3.18			10023056-202*			
10023061-1100*	2.54	10023062-10140	BLUE	10023056-200*	10023057-001	IVORY	FOR 2.5 VOLT.
10023061-1110*	2.67			10023056-201*			
10023061-1120*	3.18			10023056-202*			
10023061-2000*	2.54	10023062-20040	BLACK	10023056-200*	10023057-001	IVORY	
10023061-2010*	2.67			10023056-201*			
10023061-2020*	3.18			10023056-202*			
10023061-2002*	2.54			10023056-200*	10023057-001	BLACK	
10023061-2012*	2.67			10023056-201*			
10023061-2022*	3.18			10023056-202*			
10023061-2100*	2.54	10023062-20140	BLUE	10023056-200*	10023057-002	IVORY	FOR X.X VOLT.
10023061-2110*	2.67			10023056-201*			
10023061-2120*	3.18			10023056-202*			
10023061-3000*	2.54	10023062-30040	BLACK	10023056-200*	10023057-001	IVORY	
10023061-3010*	2.67			10023056-201*			
10023061-3020*	3.18			10023056-202*			
10023061-3002*	2.54			10023056-200*	10023057-001	BLACK	
10023061-3012*	2.67			10023056-201*			
10023061-3022*	3.18			10023056-202*			
10023061-3100*	2.54	10023062-30140	BLUE	10023056-200*	10023057-002	IVORY	
10023061-3110*	2.67			10023056-201*			
10023061-3120*	3.18			10023056-202*			

REMARK:

spec ref. PROD. NO. MARK "*" SEE ABOVE PART NO. PLM/TG/GE/WE DESCR IP21/IDN/03
 2. TERMINAL PART NO. MARK "*" SHOULD BE THE SAME AS IN PRODUCT PART NO..

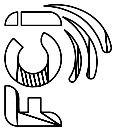
tolerance std TOLERANCES UNLESS OTHERWISE SPECIFIED

Su-Hua Miao 2010/11/03
 Nickor Zuo 2011/08/25
 Pei-Ming Zheng 2011/08/25

projection  MM  size A4 scale 1.000
 product family rel level

surface ✓	linear	0.X	±
		0.XX	±
		0.XXX	±
	angular	0°	±°

www.fci.com cat. no. * Product - Customer Drw sheet 4 of N
 dwg no 10023001
 Released
 ELX-DG-005343-1
 rev N



Copyright FCI.