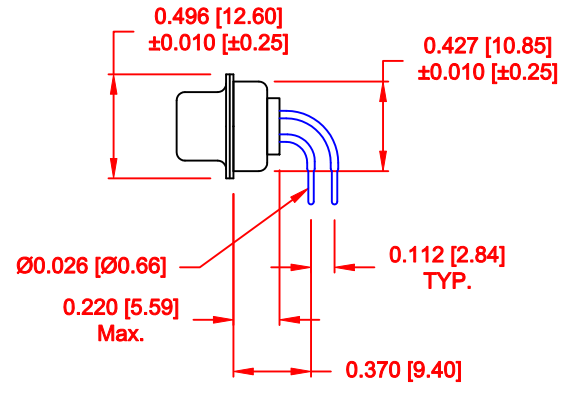
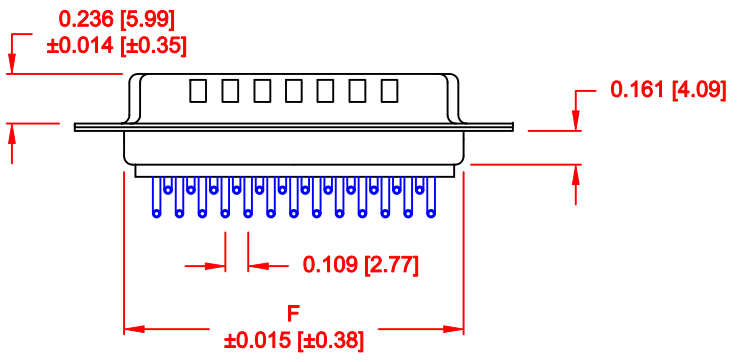
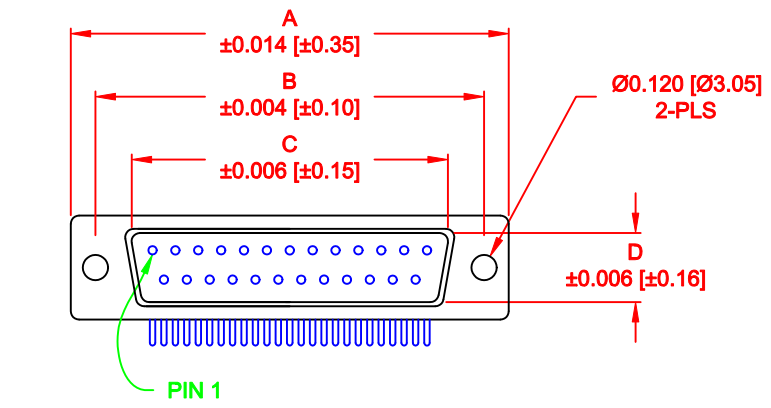


No. OF PINS	DIMENSIONS							
	A	B	C	D	E	F	G	H
9	1.213	0.984	0.666	0.329	0.236	0.756	0.496	0.427
	30.80	24.99	16.92	8.36	5.99	19.20	12.60	10.85
15	1.541	1.312	0.994	0.329	0.236	1.091	0.496	0.427
	39.15	33.32	25.25	8.36	5.99	27.70	12.60	10.85
25	2.087	1.852	1.534	0.329	0.236	1.618	0.496	0.427
	53.00	47.04	38.96	8.36	5.99	41.10	12.60	10.85



774-EYY-1 1 3 R YY 1

SERIES: E09, E15, E25
 POSITIONS: 1 = MALE
 GENDER: 1 = THROUGH HOLE
 TERMINATION: 1 = THROUGH HOLE
 SHELL PLATING: 3 = NICKEL (GROUND INDENTS)
 RoHS COMPLIANT
 HARDWARE OPTIONS: 00 = NO HARDWARE, 01 = .065" CLINCH NUT (BOARD SIDE), 14 = SHORT BRACKET WITH 4-40 SCREW LOCK
 PLATING OPTIONS: 1 = GOLD FLASH, 2 = 30 MICRO-INCH GOLD

MEETS IP67 STANDARDS
 (SEE PAGE 3 FOR SEALING DETAILS)

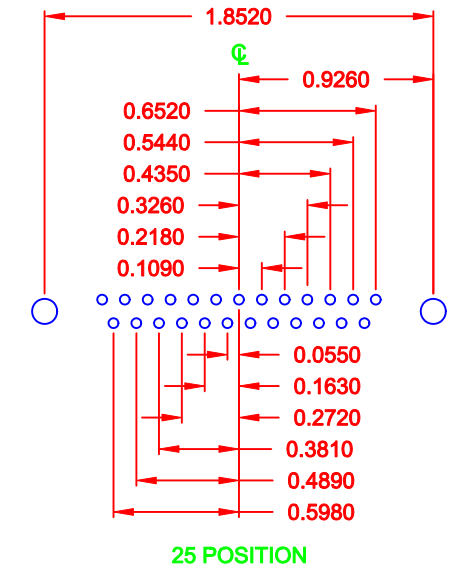
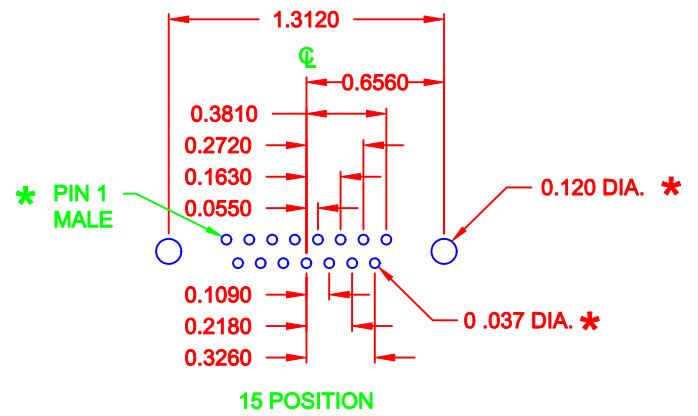
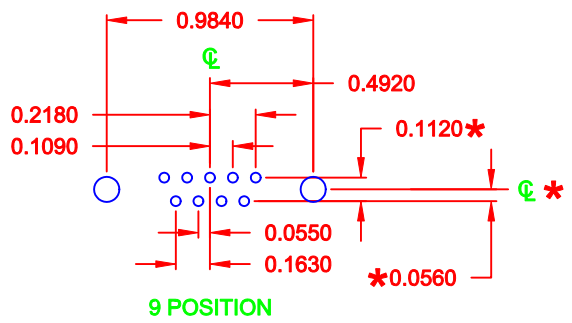
MATERIAL:
 SHELL: STEEL, NICKEL PLATED
 INSULATOR: UL 94V-O RATED, WHITE PA6T
 PROCESS TEMP.: 260° C
 CONTACT: BRASS
 SEALING MATERIAL: F08 FLEXIBLE ADHESIVE

ELECTRICAL:
 CURRENT RATING: 5 AMPS
 CONTACT RESISTANCE: 15 mOhms Max.
 INSULATION RESISTANCE: 1,000 MOhms min.
 VOLTAGE: 500VAC FOR 1 MINUTE
 TEMPERATURE: -50° C TO 100° C

RoHS COMPLIANT


DO NOT SCALE FROM DRAWING

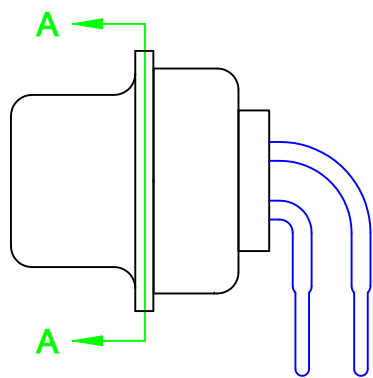
	THESE DRAWINGS AND SPECIFICATIONS ARE THE PROPERTY OF NorComp AND SHALL NOT BE REPRODUCED, COPIED OR USED AS THE BASIS FOR THE MANUFACTURE OF SALE OF APPARATUS WITHOUT WRITTEN PERMISSION.	DRAWN: C. SMITH CHECKED:	DATE: 03-26-09 DATE:
	NorComp	SCALE: 1:1 DWG NO. 774-EYY-113RYY1	SHEET 1 OF 3



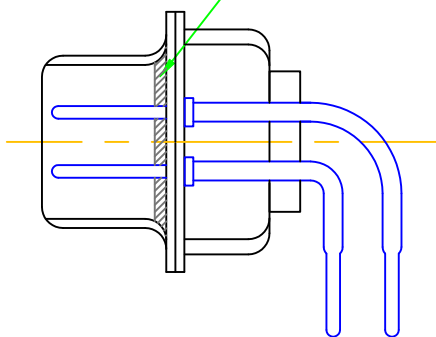
* TYP. ON ALL SIZES
UNLESS NOTED OTHERWISE

DO NOT SCALE FROM DRAWING

	THESE DRAWINGS AND SPECIFICATIONS ARE THE PROPERTY OF NorComp AND SHALL NOT BE REPRODUCED, COPIED OR USED AS THE BASIS FOR THE MANUFACTURE OF SALE OF APPARATUS WITHOUT WRITTEN PERMISSION.		DRAWN: C. SMITH	DATE: 06-10-09
			CHECKED:	DATE:
<h1>NorComp</h1>		SCALE: 1 : 1	SHEET 2 OF 3	REV 4
		DWG NO. 774-EYY-113RYY1		



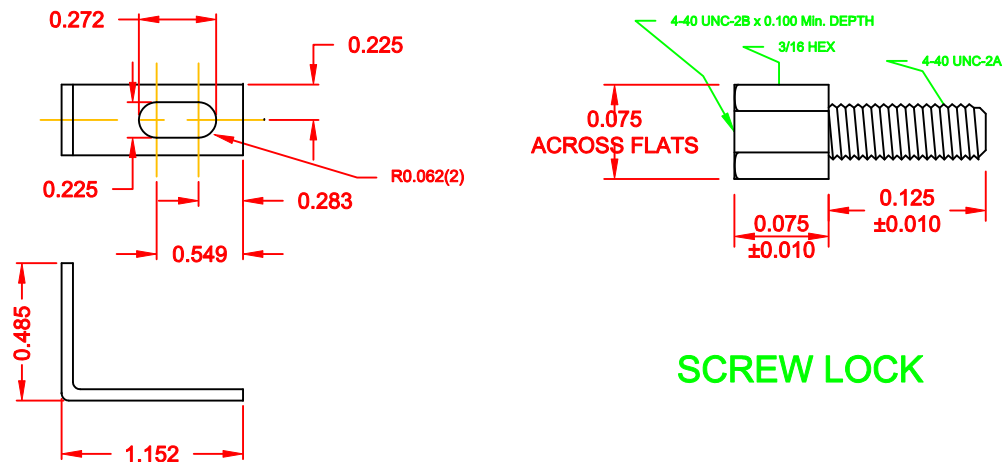
FRONT SEAL APPLIED OVER INSULATOR AND BETWEEN FRONT & REAR SHELLS



DETAIL A-A

HARDWARE OPTIONS

14 = SHORT BRACKET & 4-40 SCREW LOCK

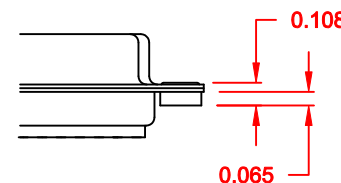


SCREW LOCK

MOUNTING BRACKET

01 CLINCH NUT OPTION

01X 0.065" (BOARD SIDE) - CN1



DO NOT SCALE FROM DRAWING



THESE DRAWINGS AND SPECIFICATIONS ARE THE PROPERTY OF NorComp AND SHALL NOT BE REPRODUCED, COPIED OR USED AS THE BASIS FOR THE MANUFACTURE OF SALE OF APPARATUS WITHOUT WRITTEN PERMISSION.

DRAWN:
C. SMITH

DATE:
06-10-09

CHECKED:

DATE:

NorComp

SCALE: **2.5 : 1** SHEET **3** OF **3** REV **4**

DWG NO. **774-EYY-113RYY1**