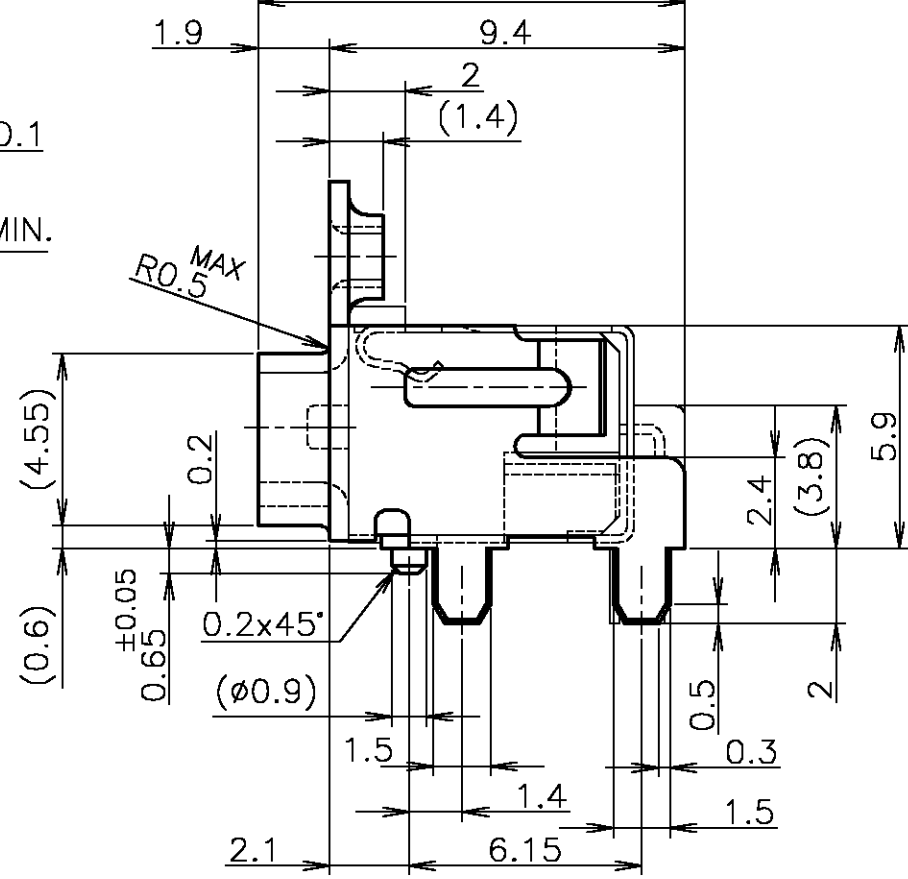
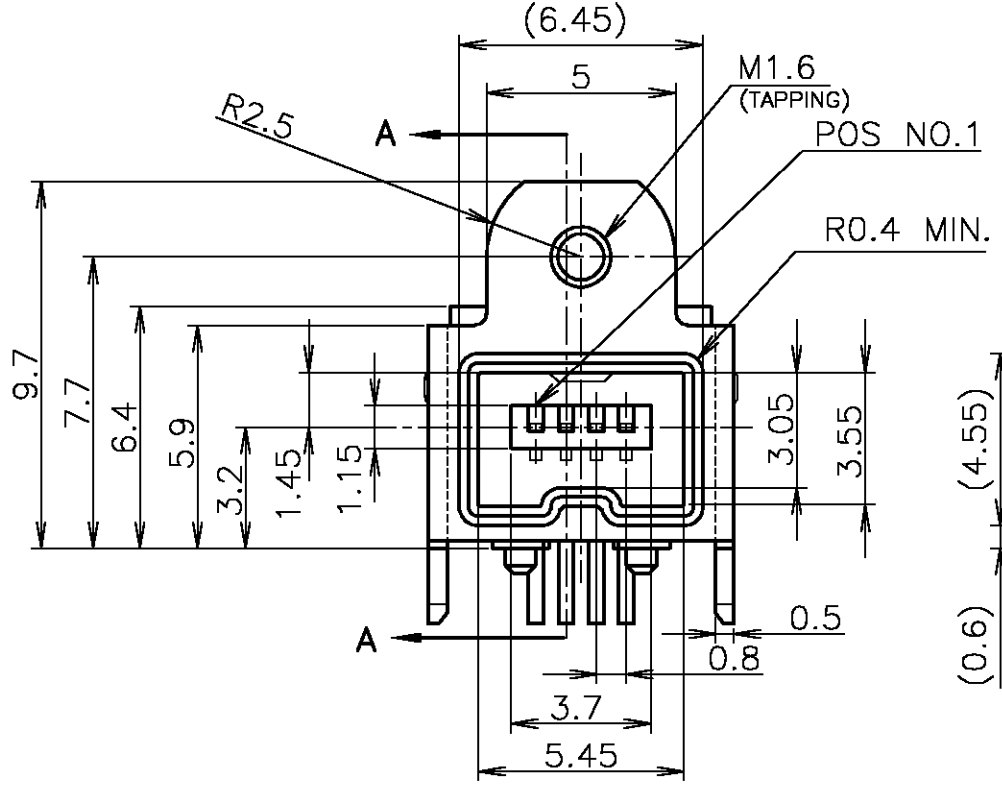
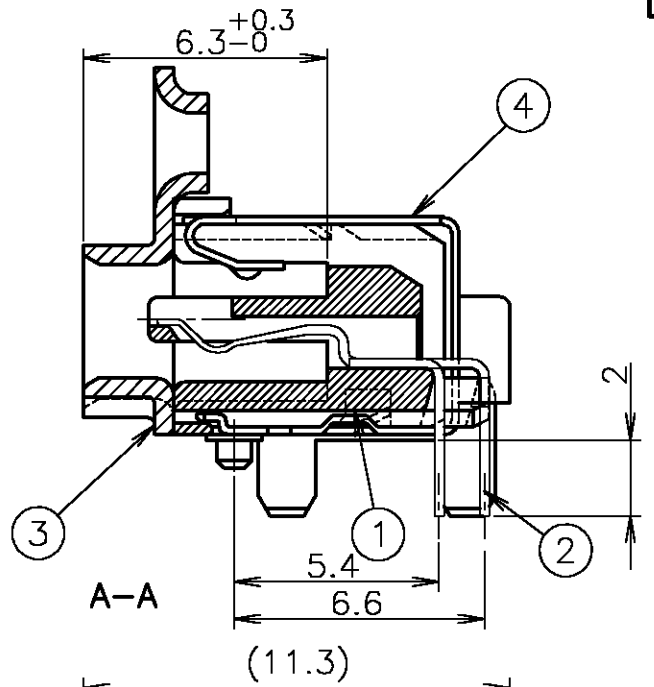
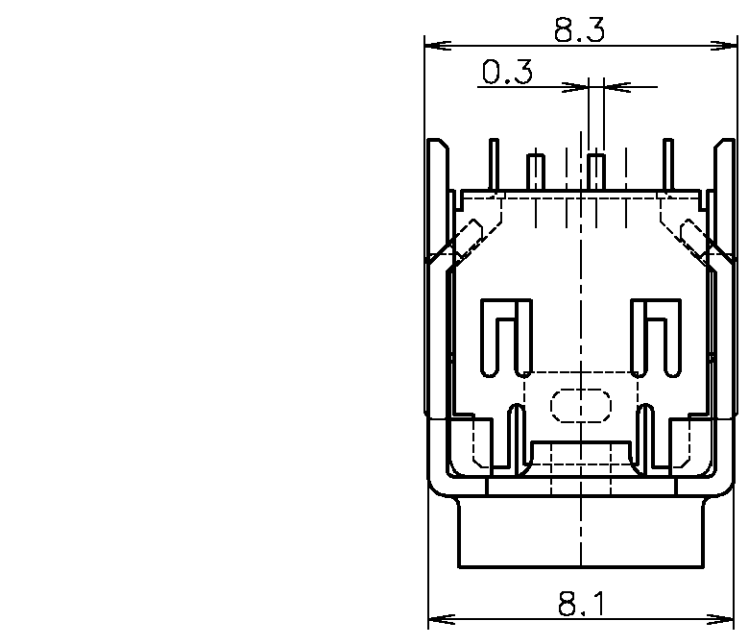
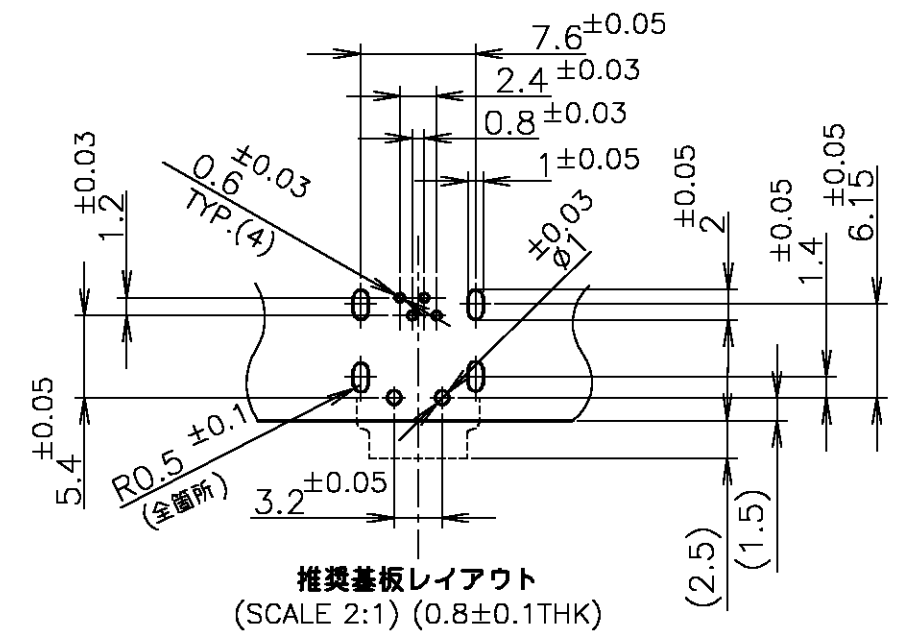


THIS DRAWING IS UNPUBLISHED. RELEASED FOR PUBLICATION JUL, 1996.
 © COPYRIGHT 1996 BY TYCO ELECTRONICS CORPORATION. ALL RIGHTS RESERVED.

LOC	DIST	REVISIONS					
J		P	LTR	DESCRIPTION	DATE	DWN	APVD
		H		REVISED	FJB0-0366-03	15JAN04	J.T H.M

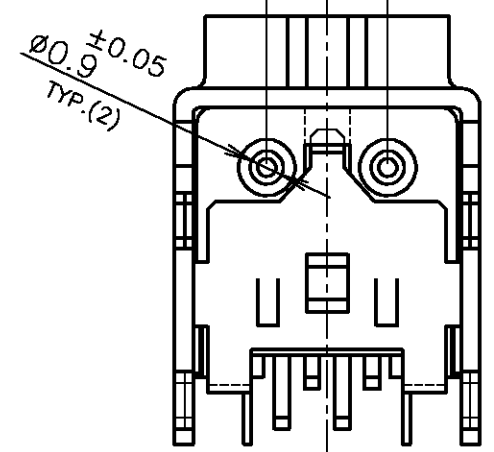


-1: 本図
AS SHWN



- 1. ビス締め部推奨トルク; 19.6N・cm(2kgf・cm)
- 1. M1.6 TAP; 19.6N・cm(2kgf・cm) MAX.

NO.	NAME	MATERIAL	FINISH
④	BACK SHELL	りん青銅 PHOS-BRO	TIN: 0.002mm
③	FRONT SHELL	黄銅 BRASS	TIN: 0.002mm
②	CONTACT	銅合金 COPPER ALLOY	Ni UNDER PLATING: 0.00127mm MIN. CONTACT AREA: Au 0.0003mm MIN. SOLDERING AREA: TIN 0.002mm
①	HOUSING	6T ナイロン (UL94V-0)	BLACK



鉛フリー
LEAD FREE

THIS DRAWING IS A CONTROLLED DOCUMENT.

DWN	T.FUTATSUGI	17JUL96
CHK	Y.YAMAMOTO	17JUL96
APVD	S.KUBOUCHI	10DEC98

tyco Electronics Tyco Electronics AMP K.K. Kawasaki, Japan

NAME: REC HEADER 4POS DIP TYPE
 PRODUCT SPEC: IEEE 1394 AV CONNECTOR (パネル取付タイプ)
 APPLICATION SPEC: 取付適用規格

SIZE	CAGE CODE	DRAWING NO	RESTRICTED TO
A3	00779	C-353388	

CUSTOMER DRAWING

SCALE	SHEET	OF	REV
5:1	1	1	H