

4

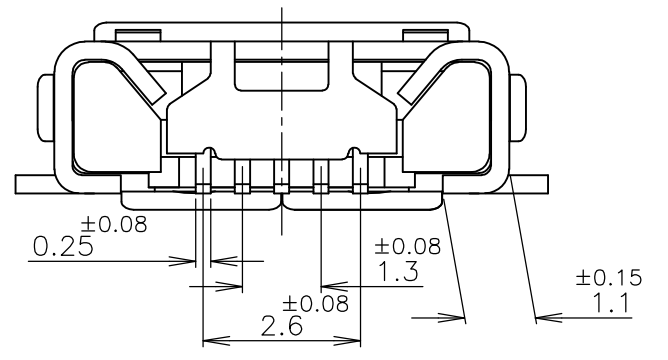
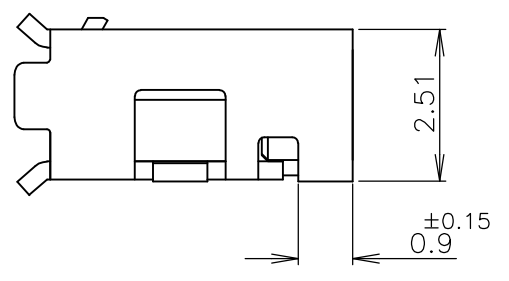
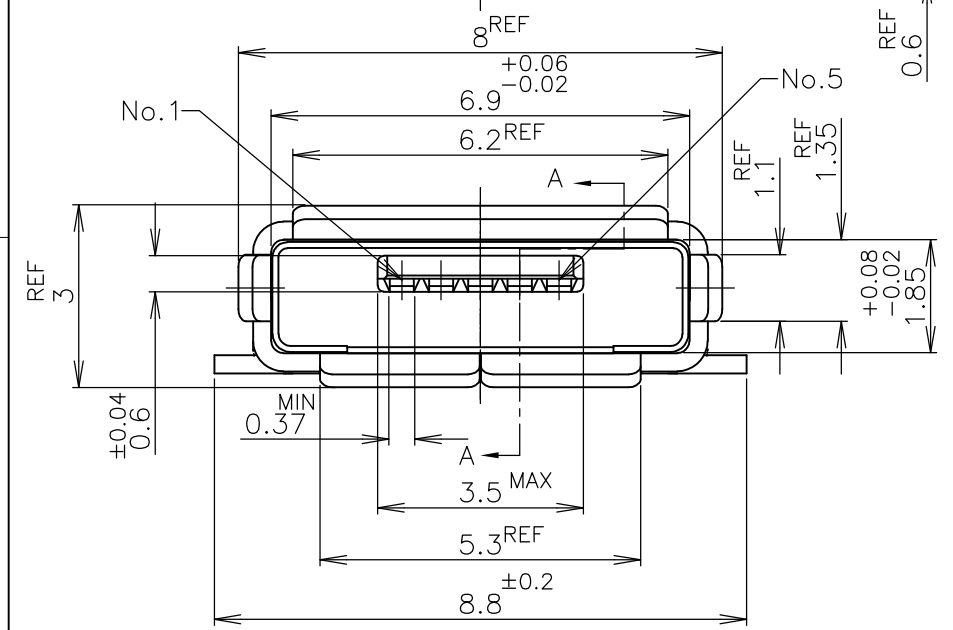
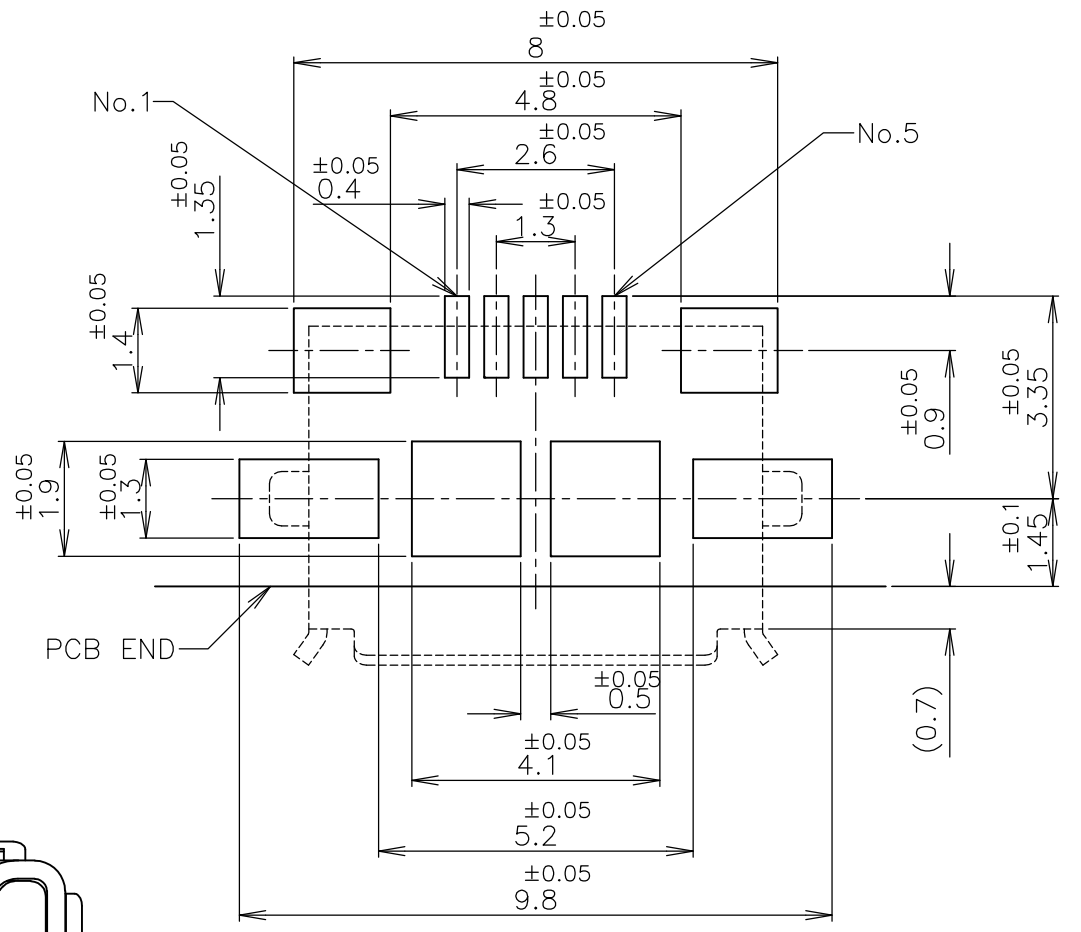
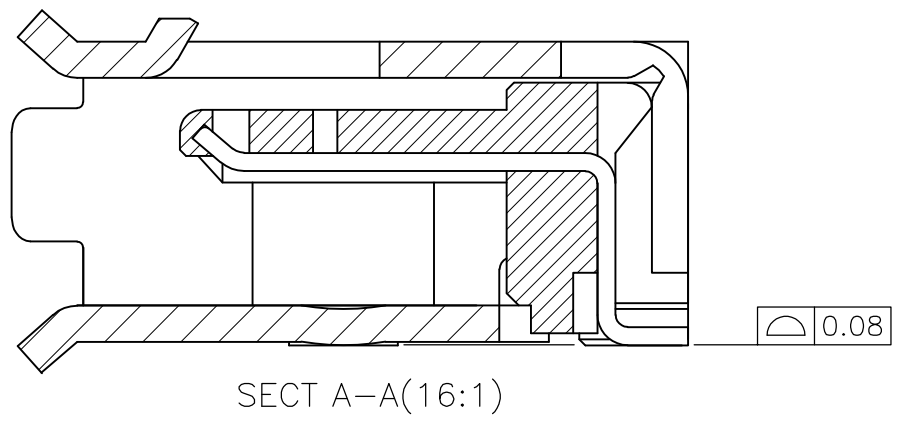
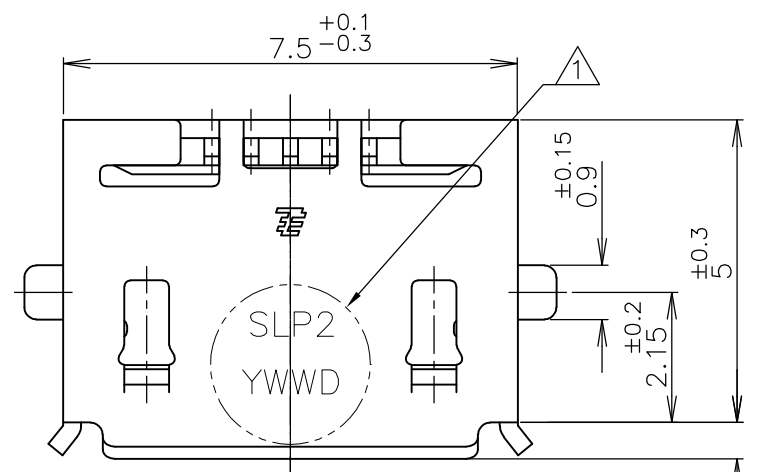
3

2

1

THIS DRAWING IS UNPUBLISHED. RELEASED FOR PUBLICATION JAN , 2007.  
 © COPYRIGHT 2007 By - ALL RIGHTS RESERVED.

LOC	DIST	REVISIONS		
		P	LTR	DESCRIPTION
J	/	D1		REVISED PER ECO-11-005030
				DATE: 11MAR11
				DWN: RK
				APVD: HMR



- 1. DATE CODE AND VERSION MARKING
- 2. OVERALL TOLERANCE: ±0.2
- 3. MATERIAL HOUSING : THERMOPLASTIC RESIN UL94V-0  
CONTACT : COPPER ALLOY  
SHELL : STAINLESS STEEL
- 4. FINISH CONTACT : Ni UNDER PL  
Au PL AT  
SHELL : Ni UNDER PL  
Sn PL

THIS DRAWING IS A CONTROLLED DOCUMENT.		DWN: J.TSUJI 06AUG2007	TE Connectivity		
DIMENSIONS: 单位: 耗 MM		CHK: T.KUSUHARA 07AUG2007			
TOLERANCES UNLESS OTHERWISE SPECIFIED: 一般公差		APVD: T.KUSUHARA 07AUG2007	NAME 名称: MICRO USB RECEPTACLE STANDARD TYPE AB ASSY		
0 PLC ± -		PRODUCT SPEC 製品規格: 108-78434	SIZE: A3	CAGE CODE: 00779	DRAWING NO 番号: C-1981584
1 PLC ± -		APPLICATION SPEC 取付適用規格	RESTRICTED TO: -		
2 PLC ± -		WEIGHT	SCALE 尺度: 8:1		
3 PLC ± -		MATERIAL 材料	SHEET: 1 OF 2		
4 PLC ± -			REV: D1		
ANGLES ± 10		FINISH 仕上	CUSTOMER DRAWING		
PART NUMBER: 1981584-1					

4

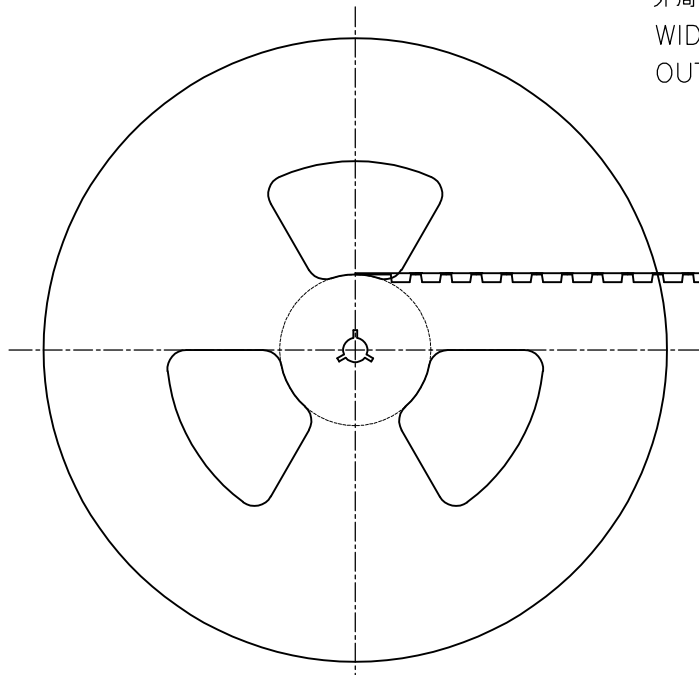
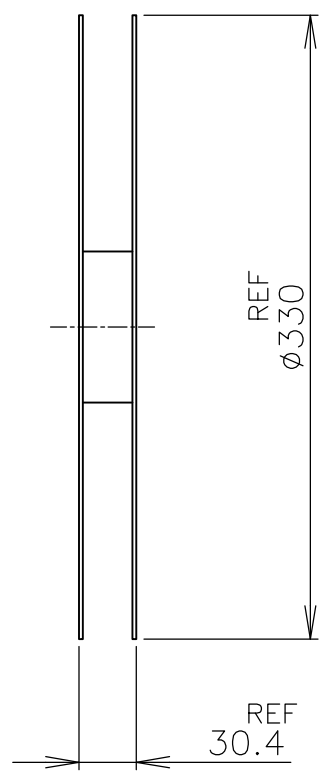
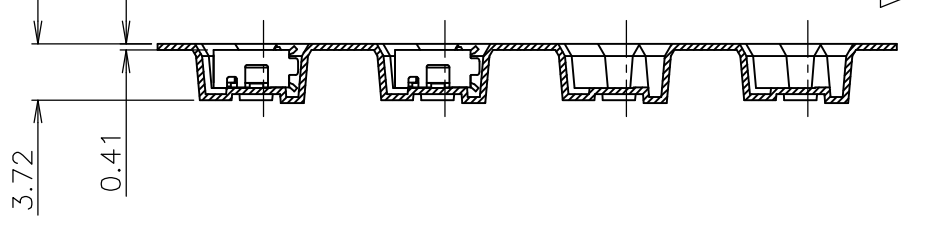
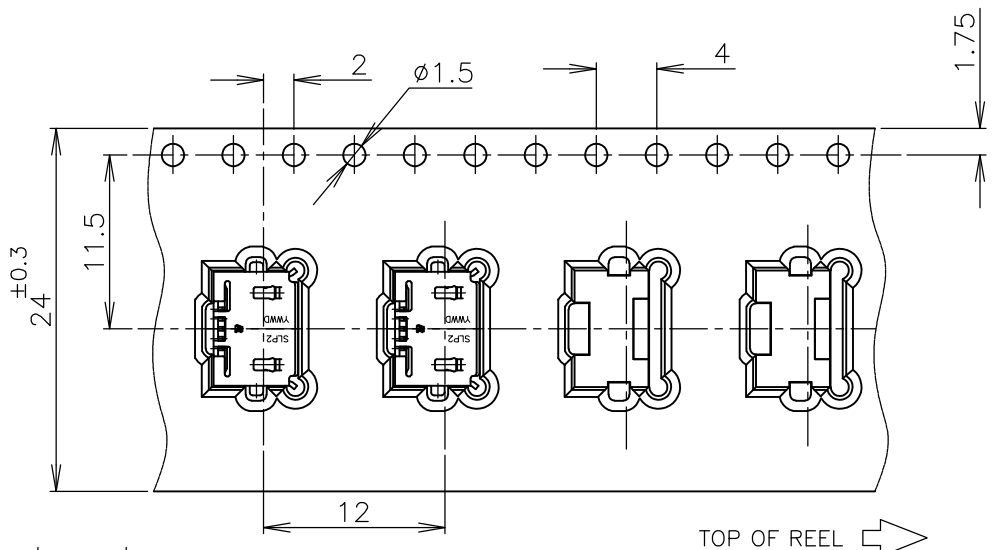
3

2

1

THIS DRAWING IS UNPUBLISHED. RELEASED FOR PUBLICATION JAN , 2007.  
 © COPYRIGHT 2007 By - ALL RIGHTS RESERVED.

LOC	DIST	REVISIONS					
J	/	P	LTR	DESCRIPTION	DATE	DWN	APVD
		-		SEE SHEET 1	-	-	-



カバーテープリーダー部  
 外周1巻  
 WIDE COVER TAPE AROUND  
 OUT PERIPHERY 1 TURN

剥離強度 0.1-1.3N MAX(300±10mm/min)  
 PEELING STRENGTH  
 剥離強度 165~180°  
 PEELING ANGLE

引き出し方向  
 TOP OF REEL

1000個/リール  
 1000EA/REEL

HOLES  
 8穴

空部  
 WITHOUT CHARGE  
 300mm程度  
 APPROX

製品装填部  
 WITH PRODUCT CHARGE

空部  
 WITHOUT CHARGE  
 600mm程度  
 APPROX

THIS DRAWING IS A CONTROLLED DOCUMENT.		DWN	TE Connectivity		
DIMENSIONS: 単位: 耗 MM		CHK	NAME 名称		
TOLERANCES UNLESS OTHERWISE SPECIFIED: 一般公差		APVD	MICRO USB RECEPTACLE STANDARD TYPE AB ASSY		
0 PLC ±-		PRODUCT SPEC 製品規格	SIZE	CAGE CODE	DRAWING NO 番号
1 PLC ±-		APPLICATION SPEC 取付適用規格	A3	00779	G-1981584
2 PLC ±-		WEIGHT	RESTRICTED TO		
3 PLC ±-			-		
4 PLC ±-			SCALE 2:1 SHEET 2 OF 2 REV D1		
ANGLES ±-					
FINISH 仕上					
MATERIAL 材料					
CUSTOMER DRAWING					