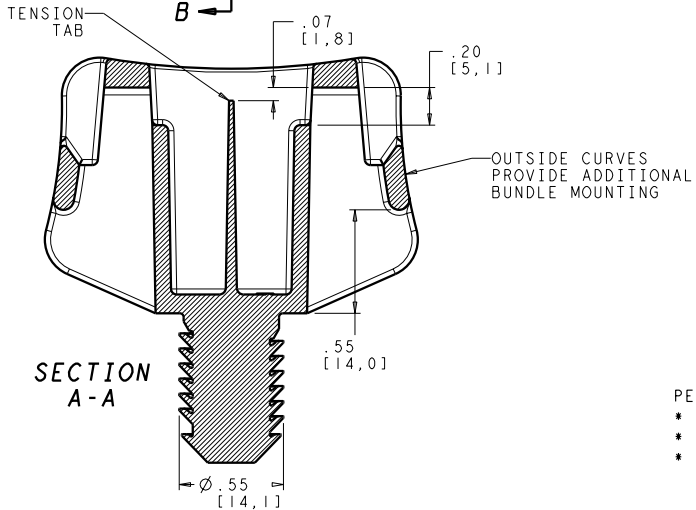
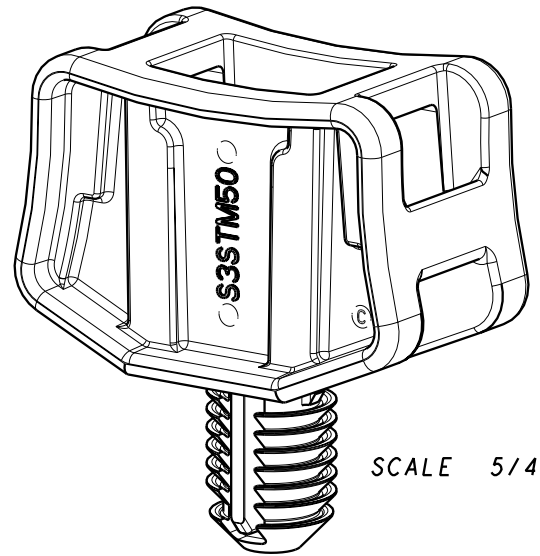


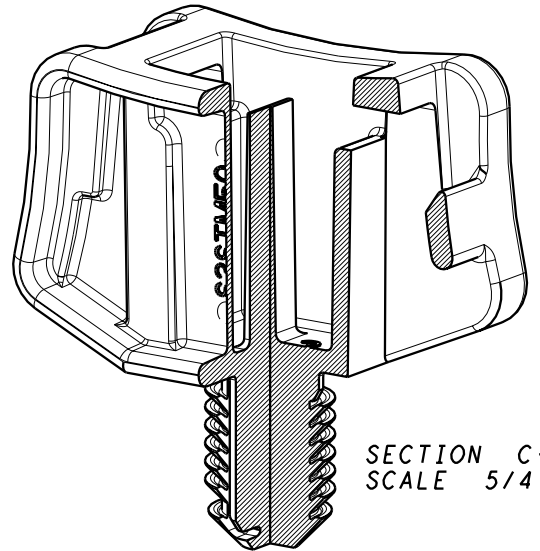
SECTION B-B



SECTION A-A



SCALE 5/4



SECTION C-C  
SCALE 5/4

PERFORMANCE REQUIREMENTS:  
 \* FIR TREE MOUNTS INTO .520 +/- .020" HOLES  
 \* PANEL THICKNESS RANGE IS FROM .075 TO .515"  
 \* FIR TREE PULL OUT FORCE IS GREATER THAN 140lbs IN A .520" HOLE AND A SHEET METAL THICKNESS OF .237"

INVENTORS

**HellermannTyton**®

ALL PROPRIETARY RIGHTS IN THE SUBJECT MATTER SHOWN ON THIS DRAWING ARE EXCLUSIVE PROPERTY OF HELLERMANN TYTON

name	date	city, state
GERRY GEIGER	1/2/98	JACKSON WI

REVISION

D level	$\Delta$ 05
A by	GGG
W date	1/9/12
I date	
N date	
G ECN #	012007
part level	C

DIMENSIONS

Tolerance	.XXXX= ±0.005/[.127]
	.XXX= ±0.010/[.25]
	.XX= ±0.02/[.5]
	.X= ±0.1/[2.5]
	∠= ±0.5
	unless otherwise specified
units	inches

PART

number	S3STM50	phase	PRODUCTION
name	STANDOFF 3-WAY SADDLE with 1/2" FIR TREE MOUNT		
material	NYLON 6/6 IMPACT MODIFIED, HEAT STABILIZED BLACK		

DRAWING

FORMAT AH version J	CAD PRO-E	scale 1/1
computer file number	previous number	
drawn G GEIGER	checked K Christian	approved
date 1/2/98	checked 1/9/12	approved
type CUSTOMER	sheet 1 of 1	
number	MT2022009CST	