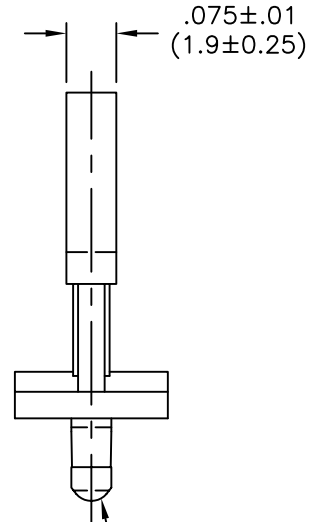
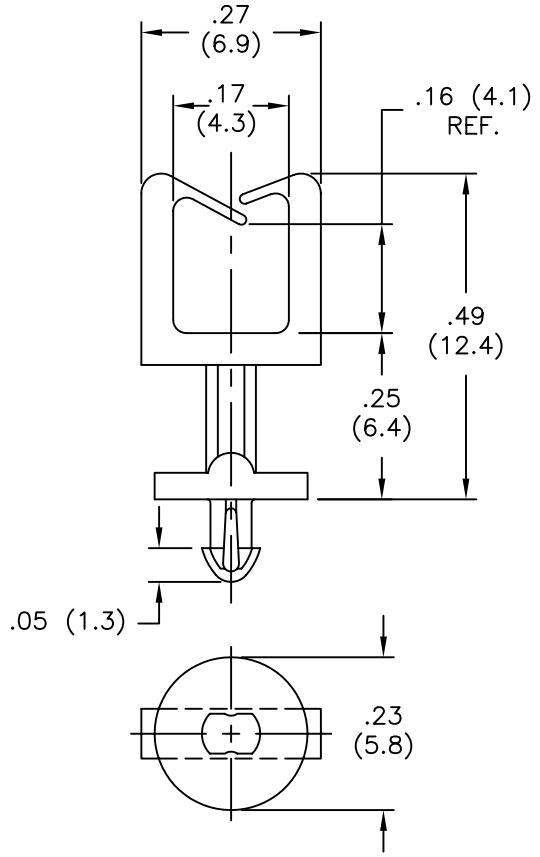


PART NUMBER		HOLE DIAMETER	PANEL THICKNESS
NYLON 6/6 RMS-01, NATURAL	FLAME RETARD. NYLON RMS-19, NATURAL		
SMWS-1-01	SMWS-1-19	.070±.002 (1.78±0.05)	.062 (1.57)
SMWS1-1-01	SMWS1-1-19		.093 (2.36)



TO SNAP-LOCK IN A .070±.002
(1.78±0.05) DIA. HOLE,
SEE TABLE FOR PANEL THICKNESS.

TITLE: STANDOFF MICRO WIRE SADDLE				DWG IN IN (MM)	
TOLERANCES UNLESS NOTED .XX=±.010 .XXX=±.005 FRAC=±1/64 ANG=±1°	FILE # SMWS	DWN: S.M.	APP:	FINAL	
	MAT'L: SEE TABLE	DT: 11/06/00	DT:	PART #	PRINT TYPE
	RE: RICHCO, INC.	RICHCO INC. PO BOX 804238, CHICAGO, 60680 (773) 539-4060		SEE TABLE	CA

C	SEE ECN #971 FOR CHANGES	SK 04.01.05
B	SEE ECN #561 FOR CHANGES	SM 01.22.03
A	CHANGED FILE NUMBER	SM 05.29.01
REV	DESCRIPTION	ENGR DATE