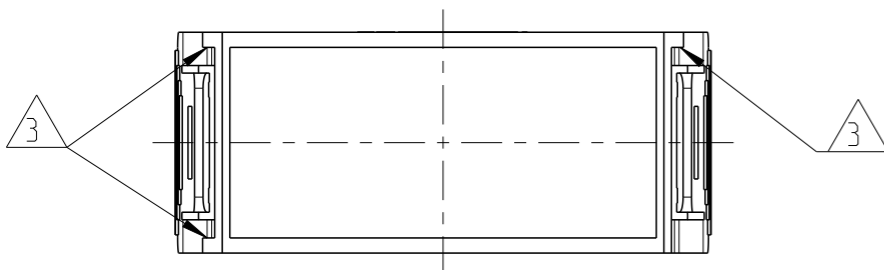


LOC	DIST	REVISIONS					
		P	LTR	DESCRIPTION	DATE	DWN	APVD
A1	-		C1	ECR-10-006685	18JUN2010	SR	OH
			D1	ECR-10-021590	25OCT2010	SR	OH
			E	ECR-15-007676	26MAY2015	GSK	JB

CONTACT ARRANGEMENT:
VIEW FROM CONNECTING SIDE



NOTES

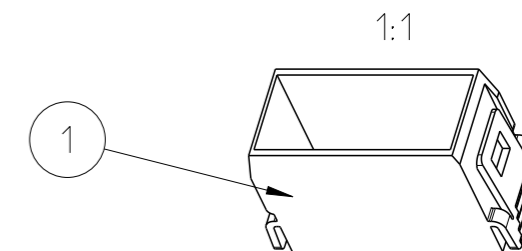
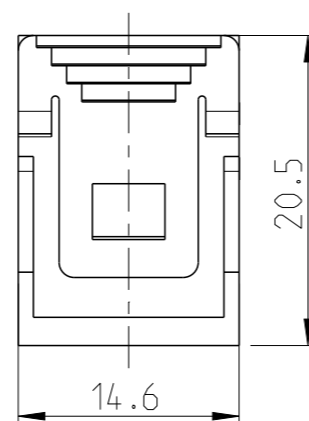
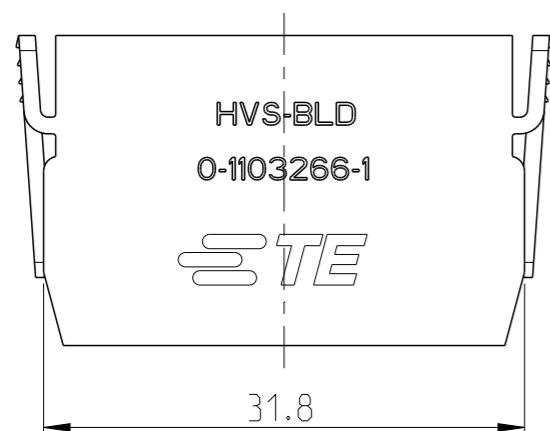
1 SUITABLE MODULE FIXING FRAME: SERIES HVS SIZE 3 0 8
CUSTOMER DRAWING: 1103250

2 STANDARDS:
DIN EN 61984; DIN EN 60664-1

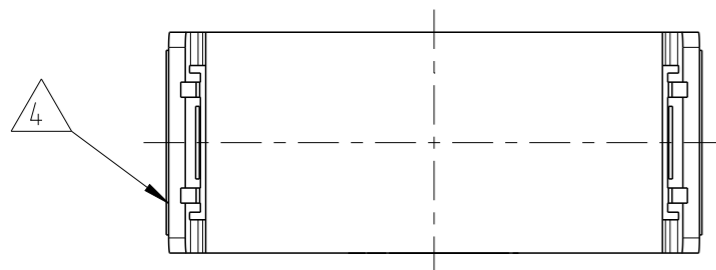
3 POLARIZATION RIPS

4 MARKING OF POLARIZATION ACCORDING MARKING OF MODULE FRAME


5 PACKAGING: 10 SETS IN A CARTON, PRE-MOUNTED



CONTACT ARRANGEMENT:
VIEW FROM TERMINATION SIDE



1	BLIND INSERT	PC-GF20		LIGHT GREY	1
0-1	DESCRIPTION	MATERIAL	SURFACE	COLOR	ITEM

THIS DRAWING IS A CONTROLLED DOCUMENT.		DWN R.SCHNEIDER 18JUN2010	 TE Connectivity														
DIMENSIONS: mm		CHK T.SCHNURPFIL 18JUN2010															
TOLERANCES UNLESS OTHERWISE SPECIFIED:		APVD -	NAME BLIND INSERT HVS-BLD														
<table border="0"> <tr> <td>0 PLC</td> <td>±</td> </tr> <tr> <td>1 PLC</td> <td>±</td> </tr> <tr> <td>2 PLC</td> <td>±</td> </tr> <tr> <td>3 PLC</td> <td>±</td> </tr> <tr> <td>4 PLC</td> <td>±</td> </tr> <tr> <td>ANGLES</td> <td>±1°</td> </tr> </table>		0 PLC	±	1 PLC	±	2 PLC	±	3 PLC	±	4 PLC	±	ANGLES	±1°	PRODUCT SPEC -	RESTRICTED TO -		
0 PLC	±																
1 PLC	±																
2 PLC	±																
3 PLC	±																
4 PLC	±																
ANGLES	±1°																
MATERIAL -		FINISH -	APPLICATION SPEC -	SIZE A3	CAGE CODE 00779												
		WEIGHT -	DRAWING NO C=1103266	SCALE 2:1													
CUSTOMER DRAWING			SHEET 1	OF 1	REV E												