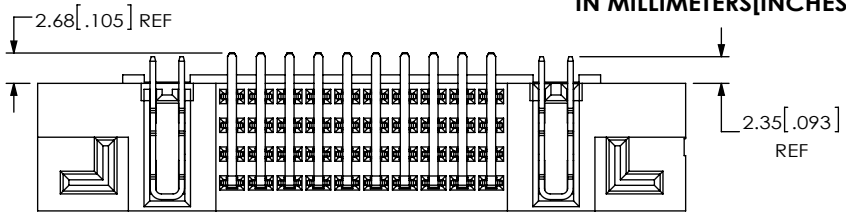


DO NOT SCALE FROM THIS PRINT

DESIGNED & DIMENSIONED IN MILLIMETERS [INCHES]

PESC-XX-XX-XX-01-X-RA-XX



**\* POWER POSITIONS (PER END)**  
-01, -02, -04

**\* SIGNAL POSITIONS**  
-12, -40

**\* POWER POSITIONS (PER END)**  
-01, -02, -04

**\*\* OPTION**  
-SD: SCREW DOWN (SEE FIG 1, SHT 1) (NOT AVAILABLE WITH -LC)  
-LC: LOCKING CLIP (USE LC-11-TM) (SEE FIG 2, SHT 2) (NOT AVAILABLE WITH -SD)

**LEAD STYLE**  
-01

**PLATING SPECIFICATION**  
-L: 10 μ" SELECTIVE GOLD IN CONTACT AREA, MATTE TIN ON TAIL  
-T: MATTE TIN CONTACT AND TAIL  
-S: 30 μ" SELECTIVE GOLD IN CONTACT AREA, MATTE TIN ON TAIL

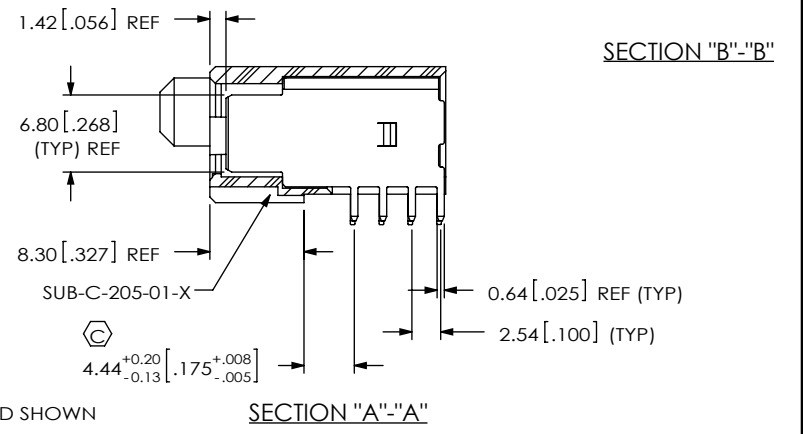
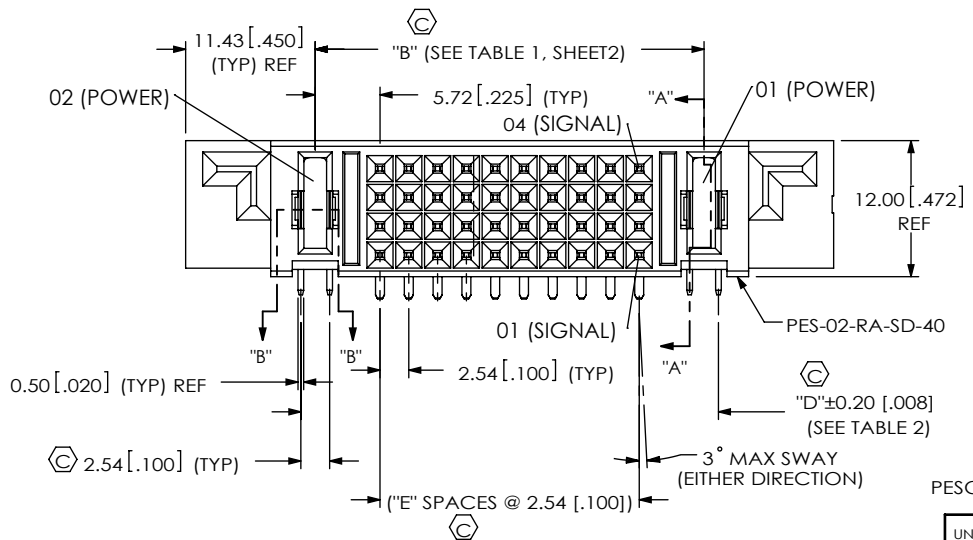
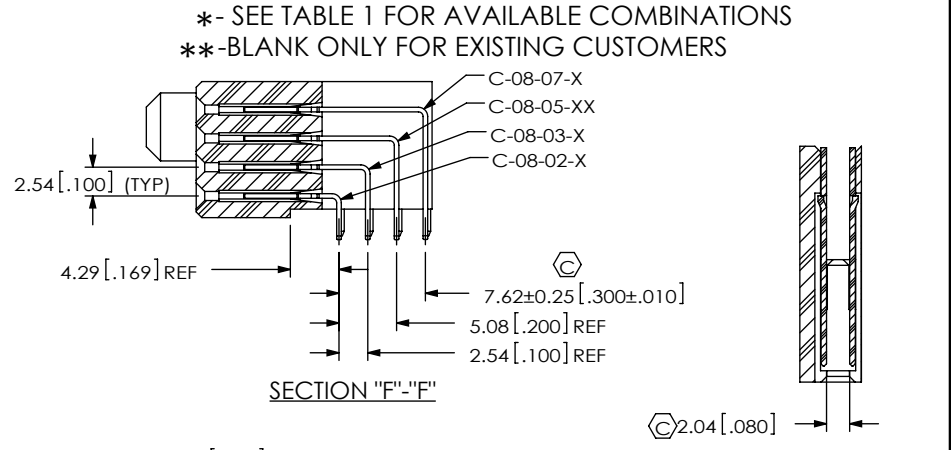
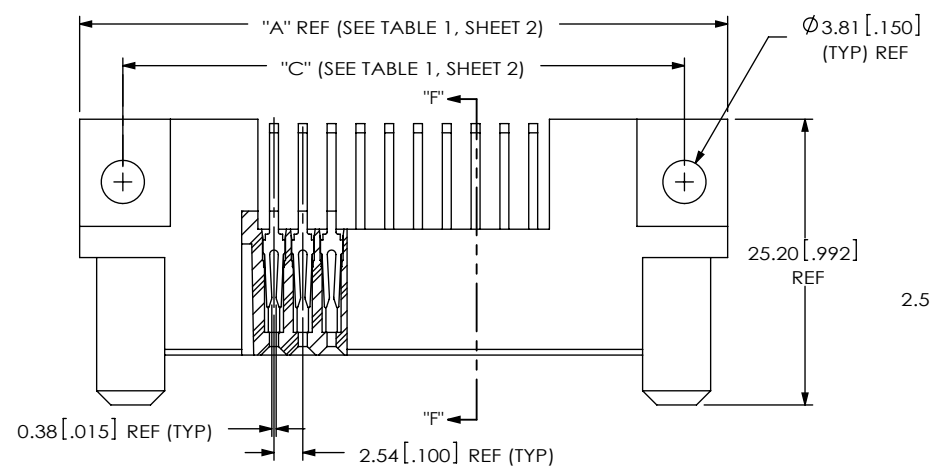


FIG 1  
PESC-01-40-01-X-RA-SD SHOWN

- NOTES:
1. Ⓢ REPRESENTS A CRITICAL DIMENSION.
  2. MAXIMUM BURR ALLOWANCE: 0.13 [0.005]
  3. MINIMUM PUSHOUT FORCE: 2.22N [0.5 LB]
  4. PARTS TO BE PACKAGED IN TRAYS.
  5. PARTS PLACED IN TRAY WITH PIN #1 FACING THE RIGHT SIDE, DUE TO PIN NUMBERING ORDER.

UNLESS OTHERWISE SPECIFIED, DIMENSIONS ARE IN MILLIMETERS. TOLERANCES ARE:

DECIMALS	ANGLES
.X: ±0.3 [0.1]	2°
.XX: ±0.13 [0.005]	
.XXX: ±0.051 [0.0020]	

**MATERIAL:** DO NOT SCALE DRAWING SHEET SCALE: 3:2  
INSULATOR: LCP, COLOR: BLACK  
TERMINAL: COPPER ALLOY

**PROPRIETARY NOTE**  
THIS DOCUMENT CONTAINS CONFIDENTIAL AND PROPRIETARY INFORMATION AND ALL DESIGN, MANUFACTURING, REPRODUCTION, USE, PATENT RIGHTS AND SALES RIGHTS ARE EXPRESSLY RESERVED BY SAMTEC, INC. THIS DOCUMENT SHALL NOT BE DISCLOSED, IN WHOLE OR PART, TO ANY UNAUTHORIZED PERSON OR ENTITY NOR REPRODUCED, TRANSFERRED OR INCORPORATED IN ANY OTHER PROJECT IN ANY MANNER WITHOUT THE EXPRESS WRITTEN CONSENT OF SAMTEC, INC.



520 PARK EAST BLVD, NEW ALBANY, IN 47150  
PHONE: 812-944-6733 FAX: 812-948-5047  
e-Mail: info@SAMTEC.com code 53322

DESCRIPTION:  
RIGHT ANGLE POWER SOCKET

DWG. NO.  
PESC-XX-XX-XX-01-X-RA-XX

BY: B. COOPER 11/24/2009 SHEET 1 OF 2

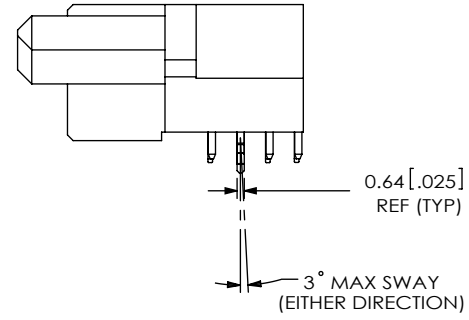
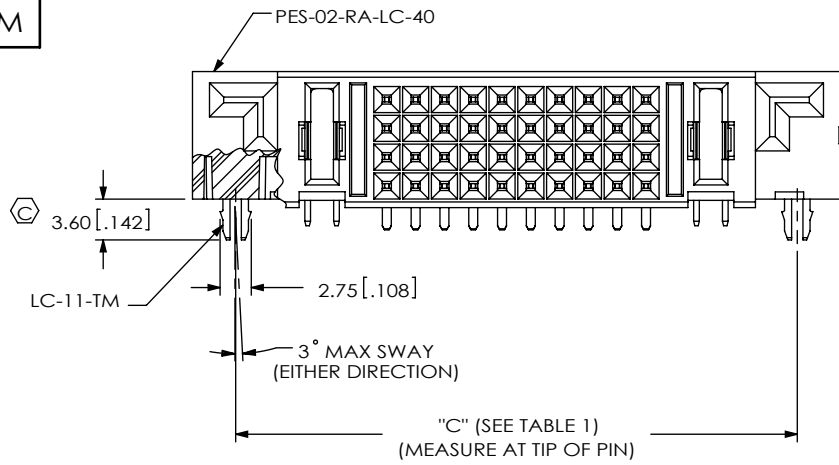


FIG 2  
PESC-01-40-01-X-RA-LC SHOWN  
(DIFFERENT AS SHOWN, OTHERWISE SAME AS FIG 1)

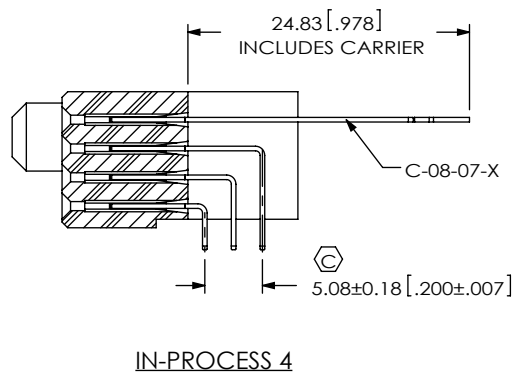
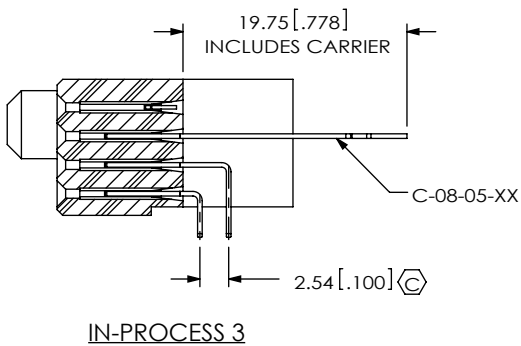
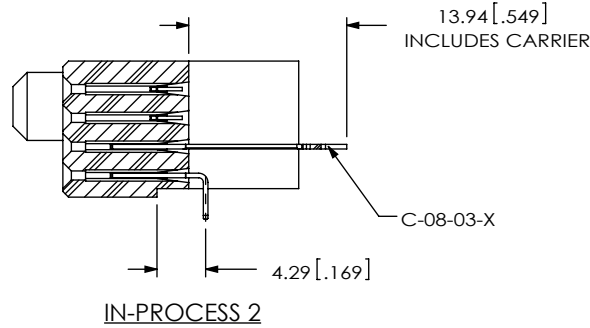
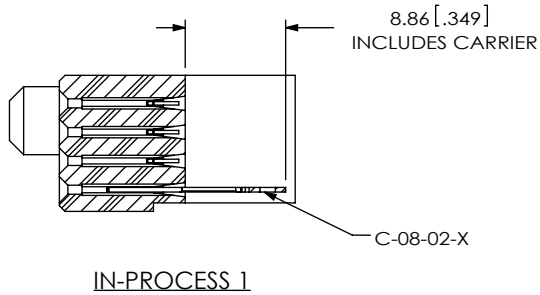


TABLE 1					
PART NUMBER	"A"	"B"	"C"	"D"	"E"
PESC-01-40-01-01-X-RA-XX	57.15 [2.250]	34.29 [1.350]	49.53 [1.950]	36.83 [1.450]	9
PESC-02-40-02-01-X-RA-XX	69.85 [2.750]	46.99 [1.850]	62.23 [2.450]	49.53 [1.950]	9
PESC-04-40-04-01-X-RA-XX	95.25 [3.750]	72.39 [2.850]	87.63 [3.450]	74.93 [2.950]	9
PESC-01-12-01-01-X-RA-XX	39.37 [1.550]	16.51 [0.650]	31.75 [1.250]	19.05 [0.750]	2
PESC-02-12-02-01-X-RA-XX	52.07 [2.050]	29.21 [1.150]	44.45 [1.750]	31.75 [1.250]	2
PESC-04-12-04-01-X-RA-XX	77.47 [3.050]	54.61 [2.150]	69.85 [2.750]	57.15 [2.250]	2

**PROPRIETARY NOTE**  
THIS DOCUMENT CONTAINS CONFIDENTIAL AND PROPRIETARY INFORMATION AND ALL DESIGN, MANUFACTURING, REPRODUCTION, USE, PATENT RIGHTS AND SALES RIGHTS ARE EXPRESSLY RESERVED BY SAMTEC, INC. THIS DOCUMENT SHALL NOT BE DISCLOSED, IN WHOLE OR PART, TO ANY UNAUTHORIZED PERSON OR ENTITY NOR REPRODUCED, TRANSFERRED OR INCORPORATED IN ANY OTHER PROJECT IN ANY MANNER WITHOUT THE EXPRESS WRITTEN CONSENT OF SAMTEC, INC.

DO NOT SCALE DRAWING  
SHEET SCALE: 1.5:1



520 PARK EAST BLVD, NEW ALBANY, IN 47150  
PHONE: 812-944-6733 FAX: 812-948-5047  
e-Mail: info@SAMTEC.com code 55322

DESCRIPTION:  
RIGHT ANGLE POWER SOCKET

DWG. NO.  
PESC-XX-XX-XX-01-X-RA-XX

BY: B. COOPER 11/24/2009 SHEET 2 OF 2